



HAWAII HEALTH SYSTEMS CORPORATION  
 KAUAI REGION

ADDENDUM #5

November 8, 2021

TO: Potential Offerors  
 FROM: Cora Shirai, Contract Manager  
 RE: Solicitation Addendum #5 to RFP #22-01/Imaging Department Renovation

This correspondence serves as Addendum #5 to the subject Request for Proposals (“RFP”). Your response to this RFP should be governed by the content of the original RFP and the revisions/corrections/additions/clarifications provided in this addendum notice.

The following questions were asked:

1. Q: Could you please provide the make and model number for the following items for KVMH?
  - Water Closet Flush Valve
  - Lavatory Faucet
  - Sink Faucet
  - Floor Drain
  - Funnel Drain

PLUMBING FIXTURE SCHEDULE								
SYMBOL	FIXTURE DESCRIPTION	CONNECTION SIZE				TYPE	ADA FIXTURE	REMARKS
		WASTE	VENT	HOT WATER	COLD WATER			
WC-1	WATER CLOSET	4"	2"	---	1"	FLOOR MOUNTED	YES	AMERICAN STANDARD PRIOLO FLOWISE OR EQUAL FLUSH VALVE, ELONGATED BOWL W/ REAR OUTLET
LAV-1	LAVATORY	1-1/2"	1-1/2"	1/2"	1/2"	WALL HUNG	YES	AMERICAN STANDARD LUCERNE OR EQUAL. W/ ELKAY SINGLE HOLE FAUCET 4" BLADE HANDELS OR EQUAL
FD-1	FLOOR DRAIN	2"	1-1/2"	---	---	FLOOR MOUNTED	---	FLOOR DRAIN, NICKEL BRONZE STRAINER. PROVIDE TRAP PRIMER AND CONNECTION PIPING
FND-1	FUNNEL DRAIN	2"	1-1/2"	-	-	FUNNEL DRAIN	-	FUNNEL DRAIN, NICKEL BRONZE STRAINER. PROVIDE TRAP PRIMER AND CONNECTION PIPING.
S-1	SINK	2"	1-1/2"	3/4"	3/4"	COUNTER TOP	YES	DAYTON STAINLESS STEEL 25"x22" OR EQUAL. W/ ELKAY SINGLE HOLE FAUCET 4" BLADE HANDELS OR EQUAL

A:..See cutsheets attached.



HAWAII HEALTH SYSTEMS CORPORATION  
KAUAI REGION

2. Q: Could you please provide the make and model number for the following items for SMMH?
- WC-1: Water Closet Flush Valve
  - WC-2: Water Closet Flush Valve (Battery Powered)
  - LAV-1: Lavatory Faucet
  - LAV-2: Lavatory Faucet (Battery Powered)
  - SH-1:
  - FD-1: Floor Drain (Shower)
  - FND-1: Funnel Drain
  - S-1: Sink Faucet

PLUMBING FIXTURE SCHEDULE								
SYMBOL	FIXTURE DESCRIPTION	CONNECTION SIZE				TYPE	ADA FIXTURE	REMARKS
		WASTE	VENT	HOT WATER	COLD WATER			
WC-1	WATER CLOSET	4"	2"	---	1"	FLOOR MOUNTED	YES	AMERICAN STANDARD PRIOLO FLOWISE FLUSH VALVE, ELONGATED BOWL W/ R
WC-1	WATER CLOSET	4"	2"	---	1"	FLOOR MOUNTED	YES	AMERICAN STANDARD PRIOLO FLOWISE FLUSH VALVE, ELONGATED BOWL W/ R POWERED AUTO SENSOR
LAV-1	LAVATORY	1-1/2"	1-1/2"	1/2"	1/2"	WALL HUNG	YES	AMERICAN STANDARD LUCERNE OR EQ FAUCET 4" BLADE HANDELS OR EQUAL
LAV-2	LAVATORY	1-1/2"	1-1/2"	1/2"	1/2"	WALL HUNG	YES	AMERICAN STANDARD LUCERNE OR EQ FAUCET OR EQUAL. BATTERY POWERE
SH-1	SHOWER	-	-	1/2"	1/2"	WALL HUNG	YES	RETRACTABLE HEAD
FD-1	FLOOR DRAIN (SHOWER)	2"	1-1/2"	-	-	FLOOR MOUNTED	-	SHOWER FLOOR DRAIN, NICKEL BRONZ PRIMER AND CONNECTION PIPING.
FD-2	FLOOR DRAIN	2"	1-1/2"	-	-	FLOOR MOUNTED	-	FLOOR DRAIN, NICKEL BRONZE STRAIN AND CONNECTION PIPING.
FND-1	FUNNEL DRAIN	2"	1-1/2"	-	-	FUNNEL DRAIN	-	FUNNEL DRAIN, NICKEL BRONZE STRAI AND CONNECTION PIPING.
S-1	SINK	2"	1-1/2"	3/4"	3/4"	COUNTER TOP	YES	DAYTON STAINLESS STEEL 25"x22" OR FAUCET 4" BLADE HANDELS OR EQUAL

A.: See cutsheets attached.

3. Q: Can you provide the heights for each location from the finished floor to the underside of the roof deck so we can determine the wall heights required for the wall assembly materials?

A.: Please see revisions made in G70 Addendum 4.

4. Q: In KVMH the drywall ceiling in the CT scan room has metal reveals running through it. (Reference detail 4/A-911) We do not see these specified. Fry Reglet makes numbers reveals and also can supply snap in trims. Please provide information on what is desired for this reveal.

A.: The Fry Reglet DA.3 "Snap-In Reveal" is acceptable.

5. Q: In discussion with the Induro RFP rep (Greg Endo @ Pacifica Sourcing 808.979.5555) – they have informed us that there is a minimum order of 2400sf with non stock Landmark Wood material since it has to be made to order. This will create a lot of



HAWAII HEALTH SYSTEMS CORPORATION  
KAUAI REGION

surplus waste (approx.. 2200sf). Should we include this or is another material option acceptable that would not result in waste? The quantity needed is only 200sf? Please advise.

Link to their standard colors below:

<https://marlite.com/induro-hpl-faced-frp/>

A: Landmark Wood may be revised to Kensington Maple, as specified at SMMH.

6. Q: KVMH & SMMH – Sheet T-006 shows 24 hour fire barrier and smoke partition, is the GC responsible to finish & install this?

If yes, does both barriers need to go up to the ceiling space to the deck above?

Is there any requirement for electrical, penetrations, etc?

A: Yes, the GC is responsible for the fire rated and smoke partition(s) to meet 2012 IBC. Partitions and penetration to comply with 2012 IBC as required.

Partition types as shown on drawings, partitions go up to the deck (structure) above.

It appears this RFP has a typo, there is no 24-hour rating on Sheet T-006.

7. Q: Please provide paint sheen and the drywall finish level.

A: Use an eggshell finish and a Level 5 finish at walls and a flat finish and Level 4 finish at ceilings.



## Sloan® Flushometers 111-1.28

### ► Code Number

3780046

### ► Description

Exposed Water Closet Flushometer, for floor mounted or wall hung top spud bowls.

### ► Flush Cycle

- Model 111-1.28 High Efficiency (1.28 gpf/4.8 Lpf)

### ► Specifications

Quiet, Exposed, Diaphragm Type, Chrome Plated Closet Flushometer with the following features:

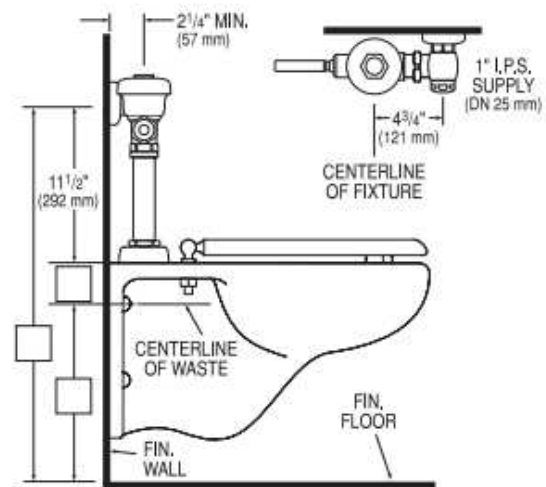
- High Chloramine Resistant PERMEX® Synthetic Rubber Diaphragm with Linear Filtered Bypass and Vortex Cleansing Action™
- 1" I.P.S. Screwdriver Bak-Chek® Angle Stop with Vandal Resistant Stop Cap
- Vacuum Breaker with Flush Connection
- Spud Coupling and Spud Flange for 1½" Top Spud
- Sweat Solder Adapter with Cover Tube and Cast Wall Flange
- Non-Hold-Open Handle and No External Volume Adjustment to Ensure Water Conservation
- Low Consumption flush accuracy
- Diaphragm, Handle Packing and Vacuum Breaker Molded from PERMEX® Rubber Compound for Chloramine Resistance
- ADA Compliant Metal Oscillating Non-Hold-Open Handle

### ► Accessories (Sold Separately)

See Accessories Section of the Sloan catalog for details on these and other Flushometer variations.

### ► Fixtures

Consult factory for matching Sloan brand fixture options.



### ► Compliance & Certifications



This space for Architect/Engineer Approval

Elkay Single Hole with Concealed Deck Faucet with 8" High Arc  
 Spout 4" Wristblade Handles Chrome  
**Model(s) LK500HA08T4**
**PRODUCT SPECIFICATIONS**

Elkay Single Hole with Concealed Deck Faucet with 8" High Arc Spout 4" Wristblade Handles Chrome. Faucet has a flow rate of 1.5 GPM, and is made of Chrome Plated Brass material, with a Quarter Turn Ceramic Disc valve. Faucet requires 1 faucet holes.

<b>Mounting Type:</b>	Deck Mount
<b>Special Features:</b>	Low Flow Solid Brass Construction Spout swing restriction pin
<b>Finish:</b>	Chrome (CR)
<b>Handle Type:</b>	4" Wristblade Handle
<b>Deck Clearance:</b>	9-3/8"
<b>Spout Reach:</b>	8"
<b>Spout Height:</b>	11-5/8"
<b>Hole Drillings:</b>	1
<b>Material:</b>	Chrome Plated Brass
<b>Valve Type:</b>	Quarter Turn Ceramic Disc
<b>Valve Connection:</b>	1 1/8" Unified Screw Thread, Standard Series
<b>Flow Rate:</b>	1.5 GPM
<b>Spout Type:</b>	High Arc

**Special Note:** 1.5 GPM VR aerator installed with 2.2 and .5 GPM inserts included

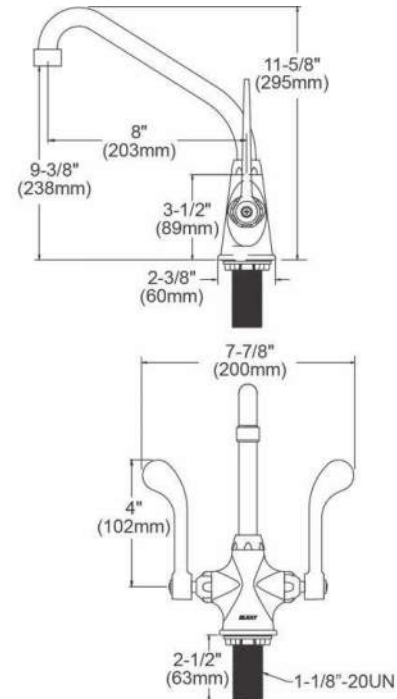

**AMERICAN PRIDE. A LIFETIME TRADITION.**

Like your family, the Elkay family has values and traditions that endure. For almost a century, Elkay has been a family-owned and operated company, providing thousands of jobs that support our families and communities.



**Product Compliance:** ADA & ICC A117.1  
ASME A112.18.1/CSA B125.1  
NSF 61  
NSF 372 (lead free)

[Clean and Care Manual \(PDF\)](#)  
[Installation Instructions \(PDF\)](#)  
[Limited Warranty \(PDF\)](#)



PART: \_\_\_\_\_ QTY: \_\_\_\_\_

PROJECT: \_\_\_\_\_

CONTACT: \_\_\_\_\_

DATE: \_\_\_\_\_

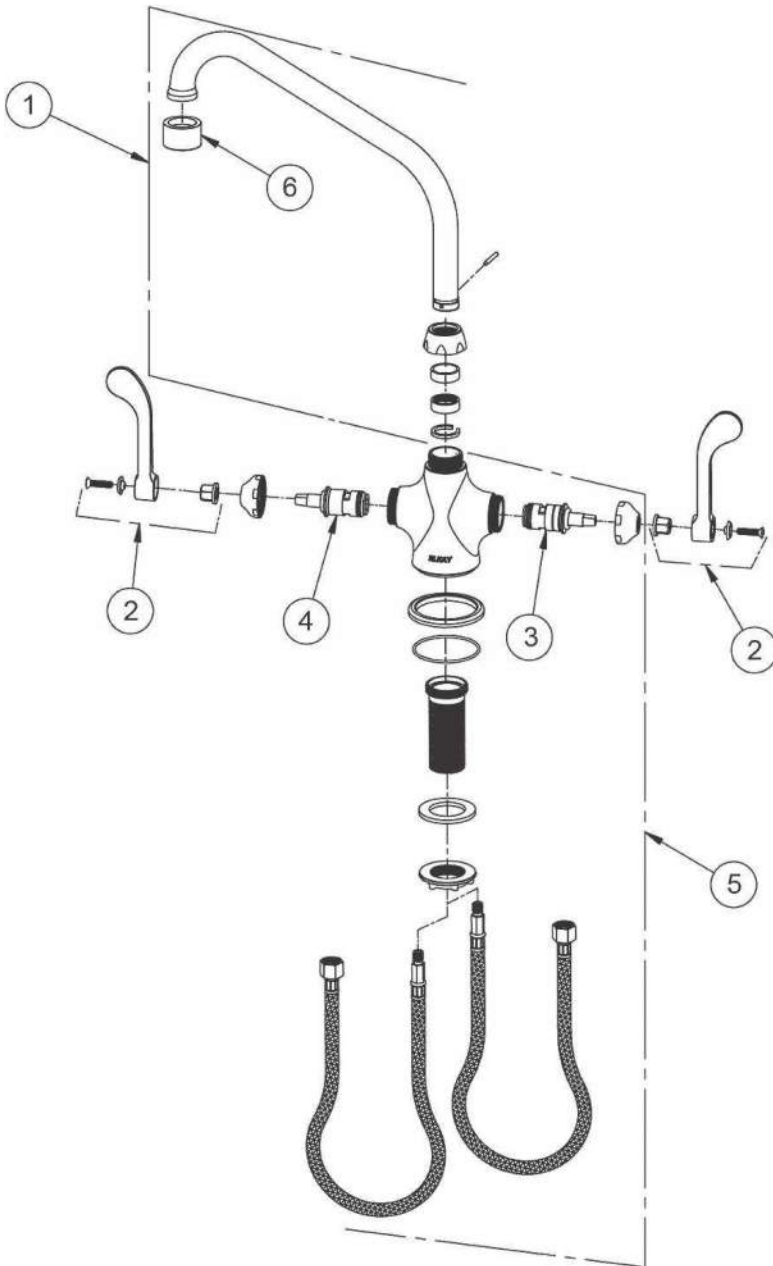
NOTES: \_\_\_\_\_

APPROVAL: \_\_\_\_\_

*In keeping with our policy of continuing product improvement, Elkay reserves the right to change product specifications without notice. Please visit [elkay.com](http://elkay.com) for the most current version of Elkay product specification sheets. This specification describes an Elkay product with design, quality, and functional benefits to the user. When making a comparison of other producers' offerings, be certain these features are not overlooked.*

Elkay Single Hole with Concealed Deck Faucet with 8" High Arc  
 Spout 4" Wristblade Handles Chrome  
 Model (s) LK500HA08T4

ITEM	IND. PART	DESCRIPTION
1	A55446	Spout
2	45919C	Handle, 4"
3	45923C	Right Cold Cartridge
4	45924C	Left Hot Cartridge
5	45915C	Body
6	LK734	2.2 GPM VR Aerator



In keeping with our policy of continuing product improvement, Elkay reserves the right to change product specifications without notice. Please visit [elkay.com](http://elkay.com) for the most current version of Elkay product specification sheets. This specification describes an Elkay product with design, quality, and functional benefits to the user. When making a comparison of other producers' offerings, be certain these features are not overlooked.



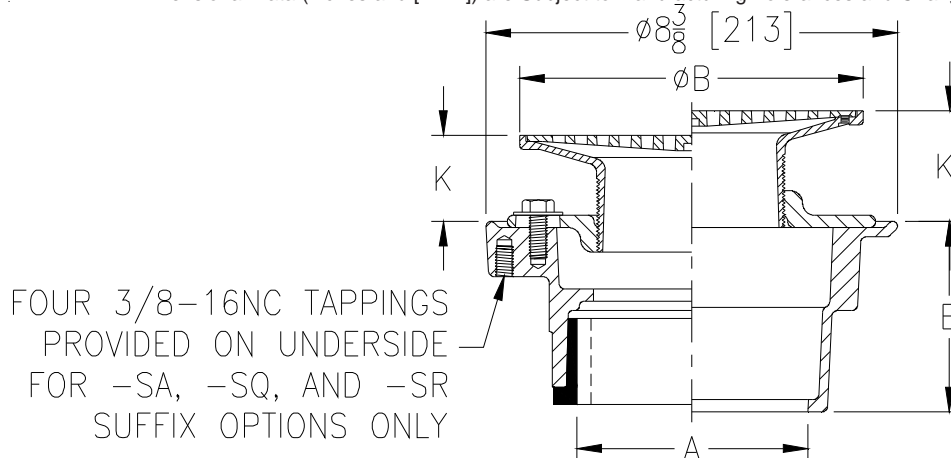
# Z415B

## BODY ASSEMBY W/ "TYPE B" STRAINER

SPECIFICATION SHEET

TAG \_\_\_\_\_

Dimensional Data (inches and [ mm ]) are Subject to Manufacturing Tolerances and Change Without Notice



Dimensions In Inches						Approx. Wt. Lbs. [kg]	Strainer Open Area Sq. In. [cm <sup>2</sup> ]
A Pipe Size	B Strainer Dia.	K		K'			
		Min.	Max.	Min.	Max.		
2-3 [51-76]	5 [127]	1 [25]	1-1/2 [38]	1-3/32 [28]	2-1/4 [57]	11 [5]	6-1/4 [40]
2-3-4 [51-76-102]	6 [152]	1 [25]	1-25/32 [45]	1-13/32 [36]	2-17/32 [64]	13 [6]	9 [58]
2-3-4 [51-76-102]	7 [178]	1 [25]	2-1/8 [54]	1-23/32 [44]	2-7/8 [73]	14 [6]	12 [77]
3-4 [76-102]	8 [203]	1-5/32 [30]	2-1/8 [54]	1-3/4 [44]	2-7/8 [73]	16 [7]	19 [123]
6 [152]	8 [203]	1-5/32 [30]	2-1/8 [54]	1-3/4 [44]	2-7/8 [73]	18 [8]	19 [123]
6 [152]	10 [254]	1-7/16 [37]	2-1/2 [64]	2 [51]	3-1/4 [83]	22 [10]	23 [148]

**ENGINEERING SPECIFICATION: ZURNZN415B**

Floor and shower drain, Dura-Coated cast iron body with bottom outlet, combination invertible membrane clamp and adjustable collar with seepage slots and "TYPE B" polished nickel bronze, light-duty strainer.

**OPTIONS** (Check/specify appropriate options)**PIPE SIZE**

2-3-4 [51-76-102]  
 2-3-4 [51-76-102]  
 2 [51]  
 3 [76]  
 4 [102]  
 6 [152]  
 2-3-4 [51-76-102]  
 2-3-4 [51-76-102]

**(Specify size/type) OUTLET**

\_\_\_ IC Inside Caulk  
 \_\_\_ IG Inside Gasket  
 \_\_\_ IP Threaded  
 \_\_\_ IP Threaded  
 \_\_\_ IP Threaded  
 \_\_\_ IP Threaded  
 NH No-Hub  
 \_\_\_ NL Neo-Loc

**'E' BODY HT. DIM.**

3-7/8 [98]  
 3-7/8 [98]  
 2-3/8 [60]  
 2-5/8 [67]  
 2-7/8 [73]  
 2-3/4 [70]  
 3-7/8 [98]  
 3-3/4 [95]

**PREFIXES**

ZB D.C.C.I. Body Assembly w/ Polished Bronze Top  
 ZN D.C.C.I. Body Assembly w/ Polished Nickel Bronze Top\*

**SUFFIXES**

\_\_\_ -AA All Acid Resisting Epoxy  
 \_\_\_ -AR Acid Resisting Epoxy Coated Cast Iron  
 \_\_\_ -C Clamp Collar for -90 Side Outlet Body  
 \_\_\_ -CP Chrome-Plated Bronze Top  
 \_\_\_ -DP Decorative Polished Top  
 \_\_\_ -EF 3/8 [16] Extension Frame  
 \_\_\_ -G Galvanized Cast Iron  
 \_\_\_ -HD Heavy-Duty Slotted Grate (ZN 5 [127] & 6 [152] Sizes Only)  
 -OF Oval Funnel (Z329-7) (6-10 [152-254] Strainers Only)  
 \_\_\_ -P Trap Primer Connection (Specify 1/2 [13] or 3/4 [19])  
 \_\_\_ -PC Protective Cover  
 \_\_\_ -SA Stabilizer Assembly (See Z1035)  
 \_\_\_ -SQ Stabilizer Q-Deck (See Z1035-Q)

\_\_\_ -SR Stabilizer Ring  
 \_\_\_ -TC Neo-Loc Test Cap Gasket (2-4 [51-102] NL Outlet Only)  
 \_\_\_ -U 1-3 [25-76] High Extension Adapter  
 \_\_\_ -V Backwater Valve  
 \_\_\_ -VP Vandal-Proof Secured Top  
 \_\_\_ -W Winter Closure Plug  
 \_\_\_ -Y Sediment Bucket  
 \_\_\_ -4 4 [102] Diameter Funnel (Z328)  
 \_\_\_ -18 Leveling Ring (See Z400-18)  
 \_\_\_ -90 90° Threaded Side Outlet Body Assembly (2 [51], 3 [76] Only)

\* Regularly furnished unless otherwise specified.

Zurn Industries, LLC | Specification Drainage Operation  
 1801 Pittsburgh Avenue, Erie, PA U.S.A. 16502 · Ph. 855-663-9876, Fax 814-454-7929  
 In Canada | Zurn Industries Limited  
 3544 Nashua Drive, Mississauga, Ontario L4V 1L2 · Ph. 905-405-8272, Fax 905-405-1292  
[www.zurn.com](http://www.zurn.com)

Rev. S  
 Date: 3/13/14  
 C.N. No. 130696  
 Prod. | Dwg. No. Z415B





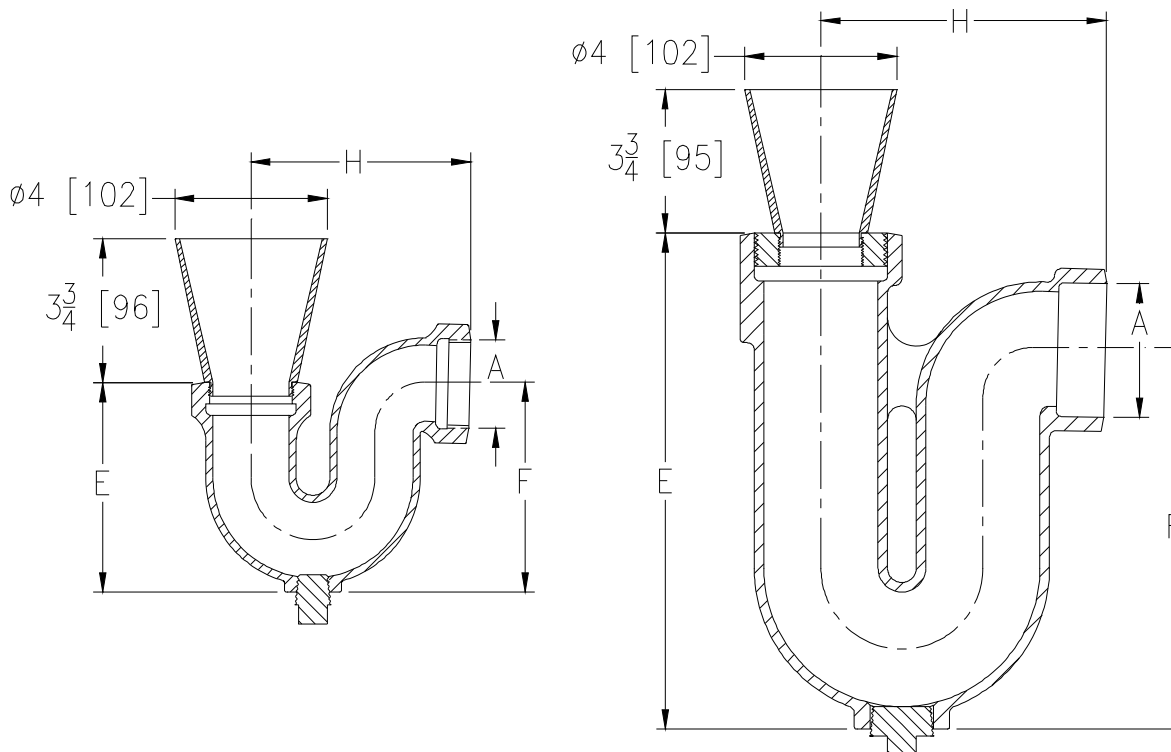
# Z1019

## FUNNEL DRAIN WITH "P" TRAP

SPECIFICATION SHEET

TAG \_\_\_\_\_

Dimensional Data (inches and [ mm ]) are Subject to Manufacturing Tolerances and Change Without Notice



Dimensions In Inches				Approx. Wt. Lbs. [kg]
A Pipe Size	E	F	H	
2 [50]	4-1/4 [108]	5-1/2 [140]	5-3/4 [146]	10 [5]
3 [75]	13 [330]	10 [254]	7-1/2 [190]	19 [9]

**ENGINEERING SPECIFICATION:** ZURN Z1019 Dura-Coated cast iron combination funnel and trap drain, complete with bronze bottom cleanout plug.

**CONNECTIONS** (Check/specify appropriate options)

**PIPE SIZE**

(Specify size) **CONNECTION**

2-3 [50-75]

\_\_\_\_ IP Threaded

**PREFIXES**

- \_\_\_\_ Z D.C.C.I. Body and Top\*
- \_\_\_\_ ZAB Bronze Body with Polished Bronze Top
- ZABN Bronze Body with Polished Nickel Bronze Top

**SUFFIXES**

- \_\_\_\_ -AR Acid Resisting Epoxy Coated Finish
- \_\_\_\_ -DS Dome Strainer
- \_\_\_\_ -F6 6 [152] High x 6 [152] Diameter Funnel
- \_\_\_\_ -G Galvanized Cast Iron

REV. D DATE: 10/29/10 C.N. NO. 120180

DWG. NO. 58888 PRODUCT NO. Z1019

\*REGULARLY FURNISHED UNLESS OTHERWISE SPECIFIED

ZURN INDUSTRIES, LLC. ♦ SPECIFICATION DRAINAGE OPERATION ♦ 1801 Pittsburgh Ave. ♦ Erie, PA 16514

Phone: 814/455-0921 ♦ Fax: 814/454-7929 ♦ World Wide Web: www.zurn.com

In Canada: ZURN INDUSTRIES LIMITED ♦ 3544 Nashua Drive ♦ Mississauga, Ontario L4V1L2 ♦ Phone: 905/405-8272 Fax: 905/405-1292





## Sloan® Flushometers 111-1.28

### ► Code Number

3780046

### ► Description

Exposed Water Closet Flushometer, for floor mounted or wall hung top spud bowls.

### ► Flush Cycle

- Model 111-1.28 High Efficiency (1.28 gpf/4.8 Lpf)

### ► Specifications

Quiet, Exposed, Diaphragm Type, Chrome Plated Closet Flushometer with the following features:

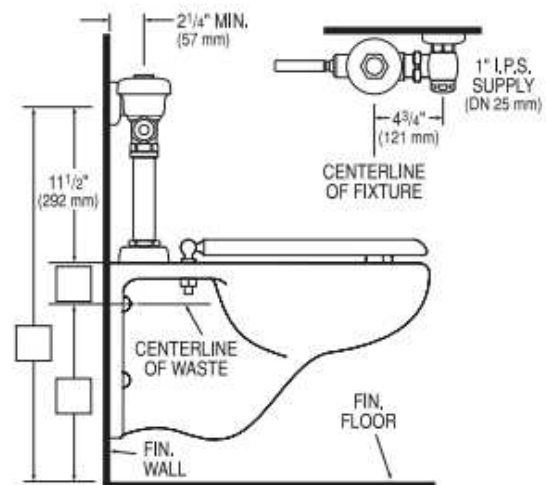
- High Chloramine Resistant PERMEX® Synthetic Rubber Diaphragm with Linear Filtered Bypass and Vortex Cleansing Action™
- 1" I.P.S. Screwdriver Bak-Chek® Angle Stop with Vandal Resistant Stop Cap
- Vacuum Breaker with Flush Connection
- Spud Coupling and Spud Flange for 1½" Top Spud
- Sweat Solder Adapter with Cover Tube and Cast Wall Flange
- Non-Hold-Open Handle and No External Volume Adjustment to Ensure Water Conservation
- Low Consumption flush accuracy
- Diaphragm, Handle Packing and Vacuum Breaker Molded from PERMEX® Rubber Compound for Chloramine Resistance
- ADA Compliant Metal Oscillating Non-Hold-Open Handle

### ► Accessories (Sold Separately)

See Accessories Section of the Sloan catalog for details on these and other Flushometer variations.

### ► Fixtures

Consult factory for matching Sloan brand fixture options.



### ► Compliance & Certifications



This space for Architect/Engineer Approval

**OPTIONS**
**Flush Volume**

- 1.6 gpf (6.0 Lpf) (1.6)
- 1.28 gpf (4.8 Lpf) (1.28)

**Water Efficiency**

- Low Consumption
- High Efficiency

**Bypass**

- Dual-Filtered Fixed Bypass Diaphragm (DFB)

**Outlet Tube**

- Trap Primer (TP)

**Bumper**

- Angle Stop (YO)

**Special Features**

- Less Logo (LL)
- Lithium Batteries

**Compliances & Certifications**

- ADA Compliant
- BAA Compliant
- cUPC Certified
- BREEAM Materials Credit
- BREEAM Water Credit
- EPD
- Green Globes Materials & Resources Credit
- Green Globes Water Credit
- LEED Materials & Resources EPD Credit
- LEED V4 Water Efficiency Credit

**NOTES**

For product line drawings, [view model-specific spec sheets](#).

All information contained within this document subject to change without notice.


**DESCRIPTION**

Sloan® Exposed Sensor Water Closet Flushometer

**FEATURES**

- High chloramine resistant PERMEX synthetic rubber diaphragm with Linear Filtered Bypass and Vortex Cleansing Action
- Valve body, Cover, Tailpiece and Control Stop shall be in compliance with ASTM Alloy Classification for Semi-Red Brass
- Valve shall be in compliance to the applicable sections of ASSE 1037.

**DOWNLOADS**

- [Control Stop Repair and Maintenance Guide](#)
- [Flush Connections Flanges Repair and Maintenance Guide](#)
- [Tail Piece Repair and Maintenance Guide](#)
- [Sloan Optima Plus Flushometers](#)
- [Flushometer Pressure gauges](#)
- [Additional Downloads](#)

**Sloan 10500 Seymour Ave, Franklin Park, IL 60131**

Phone: 800.982.5839 • Fax: 800.447.8329 • [sloan.com](http://sloan.com)

Elkay Single Hole with Concealed Deck Faucet with 8" High Arc  
 Spout 4" Wristblade Handles Chrome  
**Model(s) LK500HA08T4**
**PRODUCT SPECIFICATIONS**

Elkay Single Hole with Concealed Deck Faucet with 8" High Arc Spout 4" Wristblade Handles Chrome. Faucet has a flow rate of 1.5 GPM, and is made of Chrome Plated Brass material, with a Quarter Turn Ceramic Disc valve. Faucet requires 1 faucet holes.

<b>Mounting Type:</b>	Deck Mount
<b>Special Features:</b>	Low Flow Solid Brass Construction Spout swing restriction pin
<b>Finish:</b>	Chrome (CR)
<b>Handle Type:</b>	4" Wristblade Handle
<b>Deck Clearance:</b>	9-3/8"
<b>Spout Reach:</b>	8"
<b>Spout Height:</b>	11-5/8"
<b>Hole Drillings:</b>	1
<b>Material:</b>	Chrome Plated Brass
<b>Valve Type:</b>	Quarter Turn Ceramic Disc
<b>Valve Connection:</b>	1 1/8" Unified Screw Thread, Standard Series
<b>Flow Rate:</b>	1.5 GPM
<b>Spout Type:</b>	High Arc

**Special Note:** 1.5 GPM VR aerator installed with 2.2 and .5 GPM inserts included

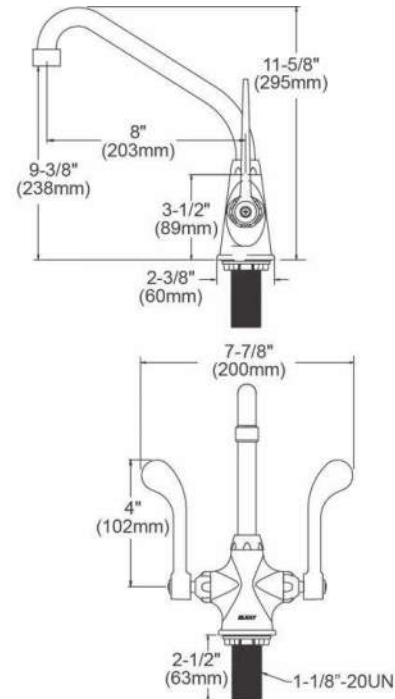

**AMERICAN PRIDE. A LIFETIME TRADITION.**

Like your family, the Elkay family has values and traditions that endure. For almost a century, Elkay has been a family-owned and operated company, providing thousands of jobs that support our families and communities.



**Product Compliance:** ADA & ICC A117.1  
ASME A112.18.1/CSA B125.1  
NSF 61  
NSF 372 (lead free)

[Clean and Care Manual \(PDF\)](#)  
[Installation Instructions \(PDF\)](#)  
[Limited Warranty \(PDF\)](#)



PART: \_\_\_\_\_ QTY: \_\_\_\_\_

PROJECT: \_\_\_\_\_

CONTACT: \_\_\_\_\_

DATE: \_\_\_\_\_

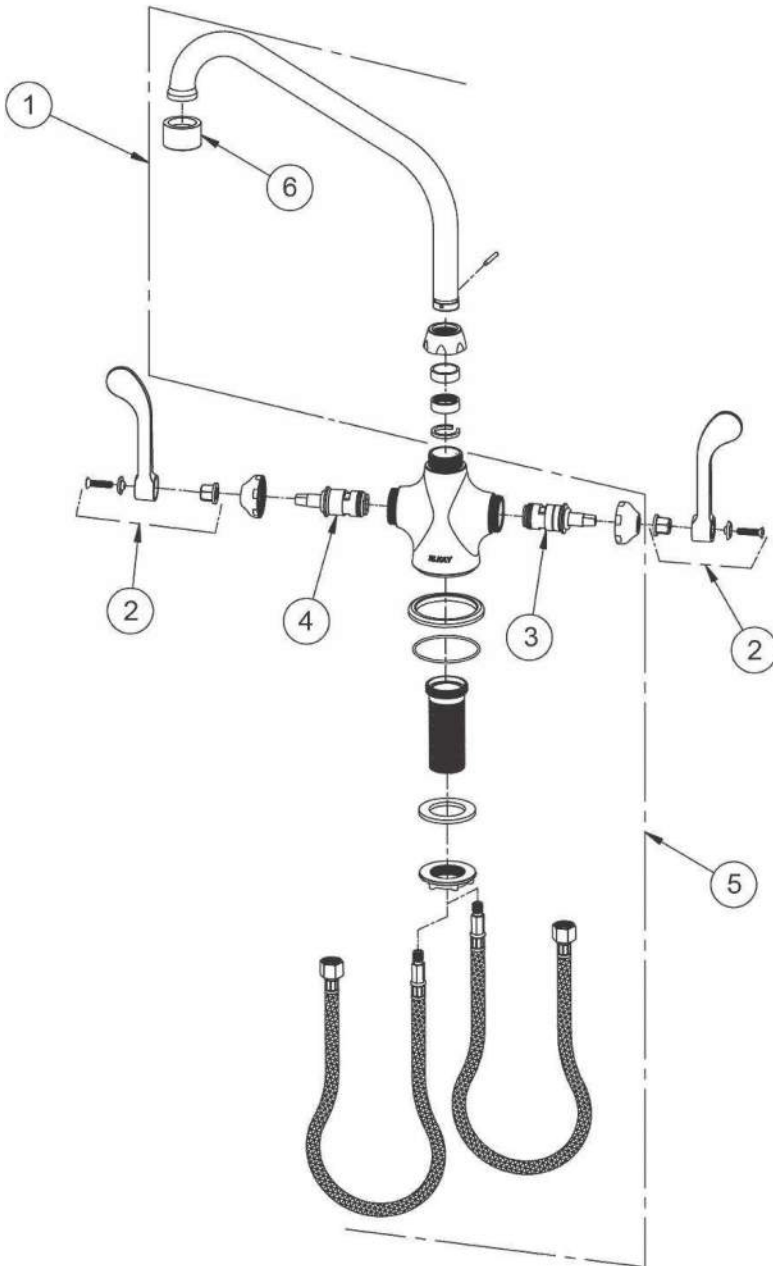
NOTES: \_\_\_\_\_

APPROVAL: \_\_\_\_\_

*In keeping with our policy of continuing product improvement, Elkay reserves the right to change product specifications without notice. Please visit [elkay.com](http://elkay.com) for the most current version of Elkay product specification sheets. This specification describes an Elkay product with design, quality, and functional benefits to the user. When making a comparison of other producers' offerings, be certain these features are not overlooked.*

Elkay Single Hole with Concealed Deck Faucet with 8" High Arc  
 Spout 4" Wristblade Handles Chrome  
 Model (s) LK500HA08T4

ITEM	IND. PART	DESCRIPTION
1	A55446	Spout
2	45919C	Handle, 4"
3	45923C	Right Cold Cartridge
4	45924C	Left Hot Cartridge
5	45915C	Body
6	LK734	2.2 GPM VR Aerator



In keeping with our policy of continuing product improvement, Elkay reserves the right to change product specifications without notice. Please visit [elkay.com](http://elkay.com) for the most current version of Elkay product specification sheets. This specification describes an Elkay product with design, quality, and functional benefits to the user. When making a comparison of other producers' offerings, be certain these features are not overlooked.

**PRODUCT SPECIFICATIONS**

Elkay Commercial Electronic Lavatory Battery Powered Deck Mount Faucet with Cast Fixed Spout Chrome. Faucet has a flow rate of .5 GPM, and is made of Chrome-plated Brass material, with a Electronic Control Module valve. Faucet requires 1 faucet holes.

<b>Mounting Type:</b>	Deck Mount
<b>Special Features:</b>	Hands Free Low Flow Sensor Activated Solid Brass Construction
<b>Finish:</b>	Chrome (CR)
<b>Handle Type:</b>	Sensor Operated (Hands Free)
<b>Deck Clearance:</b>	3-11/16"
<b>Spout Reach:</b>	4-3/4"
<b>Spout Height:</b>	4-3/4"
<b>Hole Drillings:</b>	1
<b>Material:</b>	Chrome-plated Brass
<b>Valve Type:</b>	Electronic Control Module
<b>Valve Connection:</b>	3/8" Female Compression Hose Assembly
<b>Flow Rate:</b>	.5 GPM
<b>Countertop Thickness:</b>	1-1/2
<b>Spout Swing Rotation:</b>	0°
<b>Spout Type:</b>	Fixed Spout

**Special Note:** in-line filter with clean out trap and flexible supply hose.



**Included with Product:** AC plug-in and battery holder with 4 AA batteries pre-installed

AMERICAN PRIDE. A LIFETIME TRADITION.  
 Like your family, the Elkay family has values and traditions that endure. For almost a century, Elkay has been a family-owned and operated company, providing thousands of jobs that support our families and communities.

**Product Compliance:** ADA & ICC A117.1  
 ASME A112.18.1/CSA B125.1  
 CEC  
 NSF 372 (lead free)  
 NSF 61



Complies with ADA & ICC A117.1 accessibility requirements when installed according to the requirements outlined in these standards.

[Clean and Care Manual \(PDF\)](#)  
[Installation Instructions \(PDF\)](#)  
[Warranty \(PDF\)](#)

PART: \_\_\_\_\_ QTY: \_\_\_\_\_

PROJECT: \_\_\_\_\_

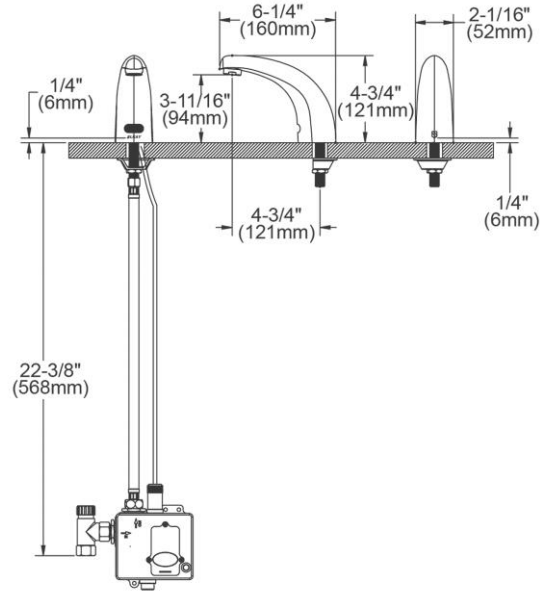
CONTACT: \_\_\_\_\_

DATE: \_\_\_\_\_

NOTES: \_\_\_\_\_

APPROVAL: \_\_\_\_\_

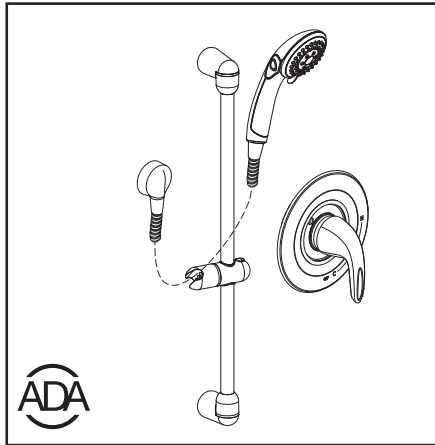
*In keeping with our policy of continuing product improvement, Elkay reserves the right to change product specifications without notice. Please visit elkay.com for the most current version of Elkay product specification sheets. This specification describes an Elkay product with design, quality, and functional benefits to the user. When making a comparison of other producers' offerings, be certain these features are not overlooked.*



*In keeping with our policy of continuing product improvement, Elkay reserves the right to change product specifications without notice. Please visit [elkay.com](http://elkay.com) for the most current version of Elkay product specification sheets. This specification describes an Elkay product with design, quality, and functional benefits to the user. When making a comparison of other producers' offerings, be certain these features are not overlooked.*

*American  
Standard*

## Commercial Shower System Trim Kit For Flash Rough Shower Valve 2.5 GPM with Hand Shower



### MODEL NUMBER:

#### □ TU662.221 Commercial Shower System Kit

Includes:

• Reliant3 Valve Only Trim - Includes Pressure Balance Cartridge	TU385500WD **
• 3-Function Hand Shower with non-positive shut-off	1660.767
• In-Line Vacuum Breaker	1660.400
• 59" Metal Hose	8888.035
• Wall Supply	8888.037
• 36" Slide Bar	1660.236

\*\* Flash rough-in valve must be purchased separately

### GENERAL DESCRIPTION:

Commercial shower system trim kit includes metal valve trim, wall supply (with 1/2" NPT female inlet and 1/2" NPSM male outlet), a 59" (1500 mm) metal shower hose, vacuum breaker, a 3-function hand shower with non-positive shut-off and a 36" slide bar. One-piece double ceramic pressure balance cartridge maintains a constant output temperature in response to changes in relative hot and cold supply pressure. Integral check valves prevent cross flow. Adjustable hot limit safety stop. Back-to-back capable. Durable valve trim with metal handle and escutcheon. Slide bar features an adjustable hand shower holder which can be set at any height or position along the bar and angle up to 45°. 2.5 gpm/9.5 L/min.

### PRESSURE BALANCE CARTRIDGE:

**One-Piece Cartridge:** Simplifies installation and maintenance.

**Double Ceramic Pressure Balance Cartridge:** Combination of ceramic disc mixing valve and a ceramic balancing spool.

**Ceramic Disc Mixing Valve:** Assures a lifetime of drip-free performance and smooth handle operation.

**Ceramic Balancing Spool:** Maintains a constant output temperature in response to changes in relative hot and cold supply pressure. Ceramic material is unaffected by mineral deposits and harsh water conditions.

**Integrated Check Valves:** Engineered to eliminate cross flow.

**Adjustable Hot Limit Safety Stop:** Limits the amount of hot water allowed to mix with cold. Reduces the risk of accidental scalding.

**Comfort Zone:** Offers a wider range to fine tune the desired temperature.

**Back-to-Back Capability:** Hot and cold can be reversed quickly and easily.

**Trim Kit:** Metal escutcheon with metal lever. Red / blue indicator ring.

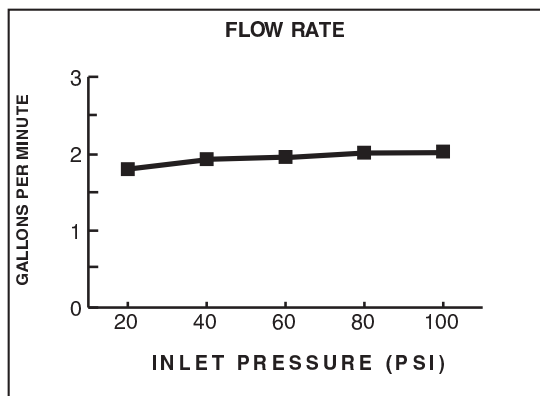
### HAND SHOWER WITH PAUSE FEATURE:

**ADA-Compliant:** Non-positive shut-off button on handle reduces flow to a trickle.

### 36" SLIDE BAR:

**Simple Height Adjustment:** Allows positioning of the hand shower anywhere along the bar.

**NOT DESIGNED TO BE A GRAB BAR.**



### SUGGESTED SPECIFICATION

Commercial shower system trim kit shall feature metal valve trim, wall supply (with 1/2" NPT female inlet and 1/2" NPSM male outlet), 59" metal hose, vacuum breaker, 2.5 gpm/9.5 L/min. 3-function hand shower with non-positive shut-off and a 36" slide bar. Shall also feature one-piece double ceramic pressure balance cartridge. Fitting shall be American Standard Model # TU662.221.002.





## Commercial Shower System Trim Kit

For Flash Rough Shower Valve  
2.5 GPM with Hand Shower

### CODES AND STANDARDS

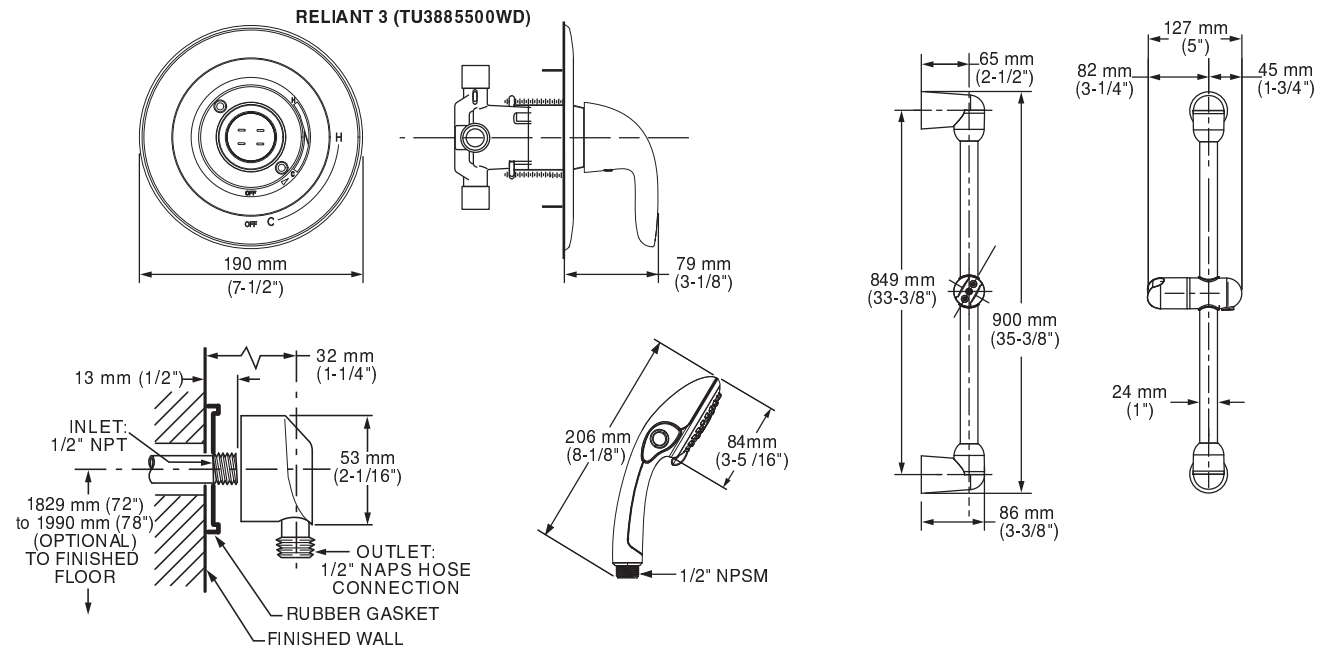
These products meet or exceed the following codes and standards:

ASSE 1016  
ASME A112.18.1016  
CSA B125.16  
ASME A112.18.1  
CSA B125.1

Product Number	Description	Finish
		Polished Chrome
		002

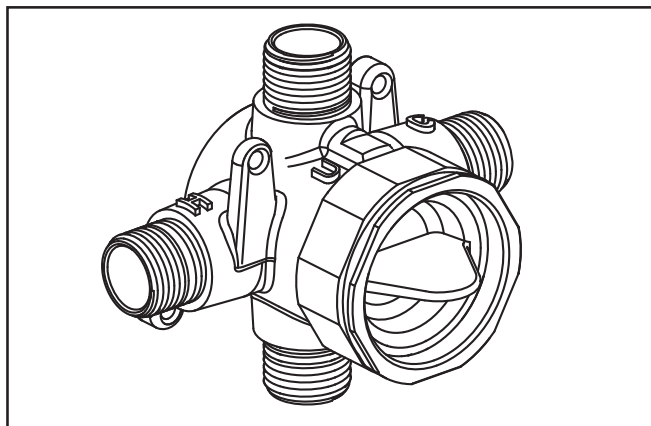
TU662.221	Commercial Shower System Trim Kit. Contains double ceramic pressure balance cartridge, valve trim kit, 3-function hand shower with non-positive shut-off, metal hose, vacuum breaker, wall supply and 36" slide bar. 2.5 gpm/9.5 L/min. <b>** Flash rough-in valve must be purchased separately</b>	
-----------	--	--



PART OF LIXIL

*American  
Standard*

## Flash™ Rough Valve Bodies



RU101 SHOWN

### GENERAL DESCRIPTION:

Valve body features cast brass construction with a pre-installed test cap. Features back-to-back capability. One-half inch inlets and outlets (choice of Universal, PEX Crimp, PEX Cold Expansion, CPVC or Stub-outs). Features test cap with stainless steel retaining ring with flats. Available with screwdriver stops. Rough-in plaster guard designed as rough-in guide and for use as thin wall mounting support. For use with TU series trim kits with cartridges.

### PRODUCT FEATURES:

**Choice of Connections:** Fast and easy installation without adaptors reducing leak points. Available connections include Universal (male thread/female sweat), PEX Crimp, PEX Cold expansion, CPVC, and Stub-outs.

**Cast Brass Valve Body:** Durable. Ideal material for prolonged contact with water.

**Flat Back:** Allows valve to be mounted flush against cross brace for easy and solid installation.

**Test Cap:** Allows valve body to be tested and flushed without the presence of the valve cartridge. Can be tested using test cap with air (200 psi) or water (300 psi).

**Stainless Steel Retaining Ring with Flats:** Secures test cap/cartridge in place and eliminates need for screws. Flats make it simple to loosen ring for quick, easy insertion/removal of test cap/cartridge.

**Back-to-Back Capability:** Hot and cold can be reversed quickly and easily.

**Exclusive Plaster Guard:** Plaster guard is designed to protect valve and act as a guide during installation. It can serve as mounting support for thin-wall installations.

**Wide Rough-in Range:** From 1-3/4" to 2-3/4" from finished wall to the back of the valve.

### MODEL NUMBERS:

- RU101 Flash Rough Valve Body with Flash Connections  
1/2" Universal inlets/outlets.
- RU101SS Flash Rough Valve Body with Flash Connections with Screwdriver Stops  
1/2" Universal inlets/outlets.
- RU102 Flash Rough Valve Body with Stub-Out Connections  
1/2" Stub-out inlets/outlets.
- RU102SS Flash Rough Valve Body with Stub-Out Connections with Screwdriver Stops  
1/2" Stub-out inlets/outlets.
- RU107 Flash Rough Valve Body with PEX Crimp Connections  
1/2" PEX Crimp inlets (ASTM F1807) / Universal outlets.
- RU107SS Flash Rough Valve Body with PEX Crimp Connections with Screwdriver Stops  
1/2" PEX Crimp inlets (ASTM F1807) / Universal outlets.
- RU107E Flash Rough Valve Body with PEX Crimp Elbow Connections  
1/2" PEX Crimp Elbow inlets (ASTM F1807) / Universal outlets.
- RU107ESS Flash Rough Valve Body with PEX Crimp Elbow Connections with Screwdriver Stops  
1/2" PEX Crimp Elbow inlets (ASTM F1807) / Universal outlets.
- RU108 Flash Rough Valve Body with PEX Cold Expansion Connections  
1/2" PEX Cold Expansion inlets (ASTM F1960) / Universal outlets.
- RU108SS Flash Rough Valve Body with PEX Cold Expansion Connections with Screwdriver Stops  
1/2" PEX Cold Expansion inlets (ASTM F1960) / Universal outlets.
- RU108E Flash Rough Valve Body with PEX Cold Expansion Elbow Connections  
1/2" PEX Cold Expansion Elbow inlets (ASTM F1960) / Universal outlets.
- RU108ESS Flash Rough Valve Body with PEX Cold Expansion Elbow Connections with Screwdriver Stops  
1/2" PEX Cold Expansion Elbow inlets (ASTM F1960) / Universal outlets.
- RU109 Flash Rough Valve Body with CPVC Connections  
1/2" CPVC inlets / Universal outlets.
- RU1098SS Flash Rough Valve Body with CPVC Connections with Screwdriver Stops  
1/2" CPVC inlets / Universal outlets.

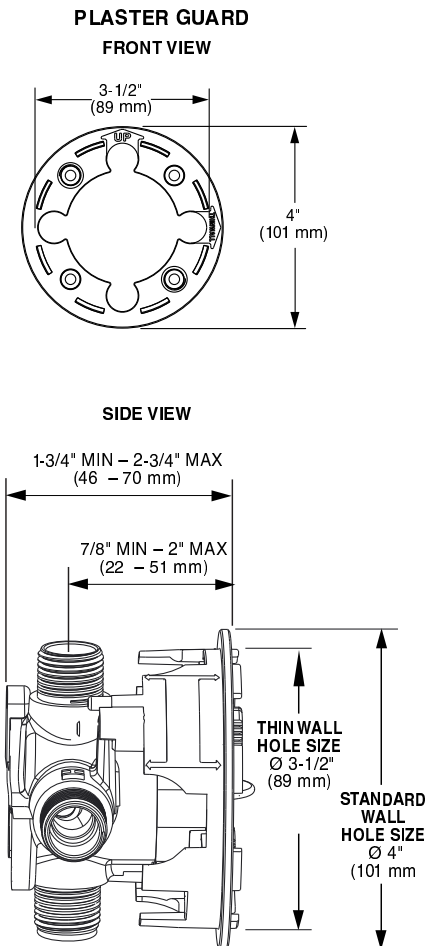
### SUGGESTED SPECIFICATION

Rough Valve Body shall feature a cast brass body. Shall feature back-to-back capability. Valve Body shall feature test cap to flush and test the lines. Shall feature stainless steel retaining ring with flats. Rough Valve Body shall be: Rough Valve Body - American Standard Model # RU10\_\_\_\_\_.



Flash™  
Rough Valve Bodies

UNIVERSAL	
<p><b>RU101</b></p> <p>INLETS ½" NOM. COPPER SWEAT or ½" MALE NPT</p> <p>OUTLETS ½" NOM. COPPER SWEAT or ½" MALE NPT</p>	<p><b>RU101SS</b></p> <p>INLETS ½" NOM. COPPER SWEAT or ½" MALE NPT</p> <p>OUTLETS ½" NOM. COPPER SWEAT or ½" MALE NPT</p>
STUB-OUT FOR PRESS-CONNECT FITTINGS	
<p><b>RU102</b></p> <p>INLETS ½" STUB OUT</p> <p>OUTLETS ½" STUB OUT</p>	<p><b>RU102SS</b></p> <p>INLETS ½" STUB OUT</p> <p>OUTLETS ½" STUB OUT</p>
PEX-CRIMP	
<p><b>RU107</b></p> <p>INLETS ½" PEX (ASTM F1607-2)</p> <p>OUTLETS ½" NOM. COPPER SWEAT or ½" MALE NPT</p>	<p><b>RU107SS</b></p> <p>SWEAT or ½" PEX (ASTM F1607-2)</p> <p>OUTLETS ½" NOM. COPPER SWEAT or ½" MALE NPT</p>
<p><b>RU107E</b></p> <p>INLETS ½" PEX (ASTM F1960)</p> <p>OUTLETS ½" NOM. COPPER SWEAT or ½" MALE NPT</p> <p><i>Valve can be rotated 180° for ceiling mount supply lines</i></p>	<p><b>RU107ESS</b></p> <p>INLETS ½" PEX (ASTM F1960)</p> <p>OUTLETS ½" NOM. COPPER SWEAT or ½" MALE NPT</p> <p><i>Valve can be rotated 180° for ceiling mount supply lines</i></p>
PEX-COLD EXPANSION	
<p><b>RU108</b></p> <p>INLETS ½" PEX (ASTM F1960)</p> <p>OUTLETS ½" NOM. COPPER SWEAT or ½" MALE NPT</p>	<p><b>RU108SS</b></p> <p>INLETS ½" PEX (ASTM F1960)</p> <p>OUTLETS ½" NOM. COPPER SWEAT or ½" MALE NPT</p>
<p><b>RU108E</b></p> <p>INLETS ½" PEX (ASTM F1960)</p> <p>OUTLETS ½" NOM. COPPER SWEAT or ½" MALE NPT</p> <p><i>Valve can be rotated 180° for ceiling mount supply lines</i></p>	<p><b>RU108ESS</b></p> <p>INLETS ½" PEX (ASTM F1960)</p> <p>OUTLETS ½" NOM. COPPER SWEAT or ½" MALE NPT</p> <p><i>Valve can be rotated 180° for ceiling mount supply lines</i></p>
CPVC	
<p><b>RU109</b></p> <p>INLETS ½" NOM. CPVC</p> <p>OUTLETS ½" NOM. COPPER SWEAT or ½" MALE NPT</p>	<p><b>RU109SS</b></p> <p>INLETS ½" NOM. CPVC</p> <p>OUTLETS ½" NOM. COPPER SWEAT or ½" MALE NPT</p>



**NOTE:** TO AVOID SHOWER RISE OR OTHER RELATED ISSUES, **DO NOT** USE PEX CONNECTIONS ON ANY OF THE OUTLETS.



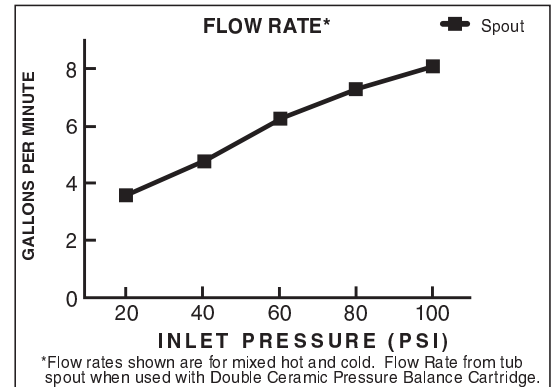
# Flash™ Rough Valve Bodies

### CODES AND STANDARDS

These products meet or exceed the following codes and standards:

**ASSE 1016 / ASME A112.18.1016 / CSA B125.16**

**ASME A112.18.1 / CSA B125.1**



UNIVERSAL		STUB-OUT FOR PRESS-CONNECT FITTINGS		CPVC	
RU101	RU101SS	RU102	RU102SS	RU109	RU109SS
1/2" Universal Inlets/ Outlets	1/2" Universal Inlets/ Outlets	1/2" Stub-Out Inlets/ Outlets	1/2" Stub-Out Inlets/ Outlets	1/2" CPVC Inlets/ Universal Outlets	1/2" CPVC Inlets/ Universal Outlets
	Screwdriver Stops		Screwdriver Stops		Screwdriver Stops

PEX - CRIMP (ASTM F1807)				PEX - COLD EXPANSION (ASTM 1960)			
RU107	RU107SS	RU107E	RU107ESS	RU108	RU108SS	RU108E	RU108ESS
1/2" PEX Crimp Inlets/ Flash Outlets	1/2" PEX Crimp Inlets/ Universal Outlets	1/2" PEX Crimp Elbow Inlets/ Universal Outlets	1/2" PEX Crimp Elbow Inlets/ Universal Outlets	1/2" PEX Cold Expansion Inlets/ Universal Outlets	1/2" PEX Cold Expansion Inlets/ Universal Outlets	1/2" PEX Cold Expansion Elbow Inlets/ Universal Outlets	1/2" PEX Cold Expansion Elbow Inlets/ Universal Outlets
	Screwdriver Stops		Screwdriver Stops		Screwdriver Stops		Screwdriver Stops

\*Universal = Male IPS Thread/Female Sweat

OPTIONAL ACCESSORIES	
M954334-0070A	Flush Plug
M954805-0070A	Deep Rough-in Kit

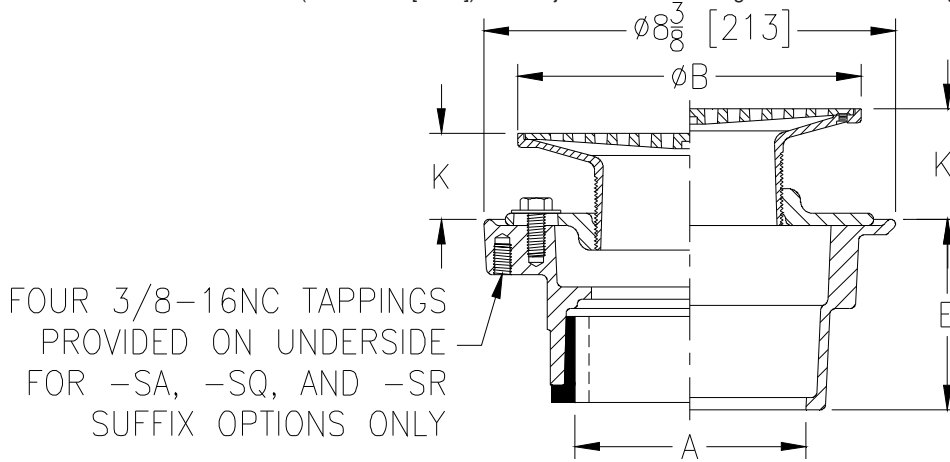


**Z415B**  
BODY ASSEMBY W/ "TYPE B" STRAINER

SPECIFICATION SHEET

TAG \_\_\_\_\_

Dimensional Data (inches and [ mm ]) are Subject to Manufacturing Tolerances and Change Without Notice



Dimensions In Inches						Approx. Wt. Lbs. [kg]	Strainer Open Area Sq. In. [cm <sup>2</sup> ]
A Pipe Size	B Strainer Dia.	K		K'			
		Min.	Max.	Min.	Max.		
2-3 [51-76]	5 [127]	1 [25]	1-1/2 [38]	1-3/32 [28]	2-1/4 [57]	11 [5]	6-1/4 [40]
2-3-4 [51-76-102]	6 [152]	1 [25]	1-25/32 [45]	1-13/32 [36]	2-17/32 [64]	13 [6]	9 [58]
2-3-4 [51-76-102]	7 [178]	1 [25]	2-1/8 [54]	1-23/32 [44]	2-7/8 [73]	14 [6]	12 [77]
3-4 [76-102]	8 [203]	1-5/32 [30]	2-1/8 [54]	1-3/4 [44]	2-7/8 [73]	16 [7]	19 [123]
6 [152]	8 [203]	1-5/32 [30]	2-1/8 [54]	1-3/4 [44]	2-7/8 [73]	18 [8]	19 [123]
6 [152]	10 [254]	1-7/16 [37]	2-1/2 [64]	2 [51]	3-1/4 [83]	22 [10]	23 [148]

**ENGINEERING SPECIFICATION: ZURNZN415B**

Floor and shower drain, Dura-Coated cast iron body with bottom outlet, combination invertible membrane clamp and adjustable collar with seepage slots and "TYPE B" polished nickel bronze, light-duty strainer.

**OPTIONS** (Check/specify appropriate options)

**PIPE SIZE**

- 2-3-4 [51-76-102]
- 2-3-4 [51-76-102]
- 2 [51]
- 3 [76]
- 4 [102]
- 6 [152]
- 2-3-4 [51-76-102]
- 2-3-4 [51-76-102]

(Specify size/type) **OUTLET**

- \_\_\_ IC Inside Caulk
- \_\_\_ IG Inside Gasket
- \_\_\_ IP Threaded
- \_\_\_ IP Threaded
- \_\_\_ IP Threaded
- IP Threaded
- \_\_\_ NH No-Hub
- \_\_\_ NL Neo-Loc

**'E' BODY HT. DIM.**

- 3-7/8 [98]
- 3-7/8 [98]
- 2-3/8 [60]
- 2-5/8 [67]
- 2-7/8 [73]
- 2-3/4 [70]
- 3-7/8 [98]
- 3-3/4 [95]

**PREFIXES**

- ZB D.C.C.I. Body Assembly w/ Polished Bronze Top
- ZN D.C.C.I. Body Assembly w/ Polished Nickel Bronze Top\*

**SUFFIXES**

- \_\_\_ -AA All Acid Resisting Epoxy
- \_\_\_ -AR Acid Resisting Epoxy Coated Cast Iron
- \_\_\_ -C Clamp Collar for -90 Side Outlet Body
- \_\_\_ -CP Chrome-Plated Bronze Top
- \_\_\_ -DP Decorative Polished Top
- \_\_\_ -EF 3/8 [16] Extension Frame
- \_\_\_ -G Galvanized Cast Iron
- \_\_\_ -HD Heavy-Duty Slotted Grate (ZN 5 [127] & 6 [152] Sizes Only)
- OF Oval Funnel (Z329-7) (6-10 [152-254] Strainers Only)
- \_\_\_ -P Trap Primer Connection (Specify 1/2 [13] or 3/4 [19])
- \_\_\_ -PC Protective Cover
- \_\_\_ -SA Stabilizer Assembly (See Z1035)
- \_\_\_ -SQ Stabilizer Q-Deck (See Z1035-Q)
- \_\_\_ -SR Stabilizer Ring
- \_\_\_ -TC Neo-Loc Test Cap Gasket (2-4 [51-102] NL Outlet Only)
- \_\_\_ -U 1-3 [25-76] High Extension Adapter
- \_\_\_ -V Backwater Valve
- \_\_\_ -VP Vandal-Proof Secured Top
- \_\_\_ -W Winter Closure Plug
- \_\_\_ -Y Sediment Bucket
- \_\_\_ -4 4 [102] Diameter Funnel (Z328)
- \_\_\_ -18 Leveling Ring (See Z400-18)
- \_\_\_ -90 90° Threaded Side Outlet Body Assembly (2 [51], 3 [76] Only)

\* Regularly furnished unless otherwise specified.

Zurn Industries, LLC | Specification Drainage Operation  
1801 Pittsburgh Avenue, Erie, PA U.S.A. 16502 · Ph. 855-663-9876, Fax 814-454-7929  
In Canada | Zurn Industries Limited  
3544 Nashua Drive, Mississauga, Ontario L4V 1L2 · Ph. 905-405-8272, Fax 905-405-1292  
[www.zurn.com](http://www.zurn.com)

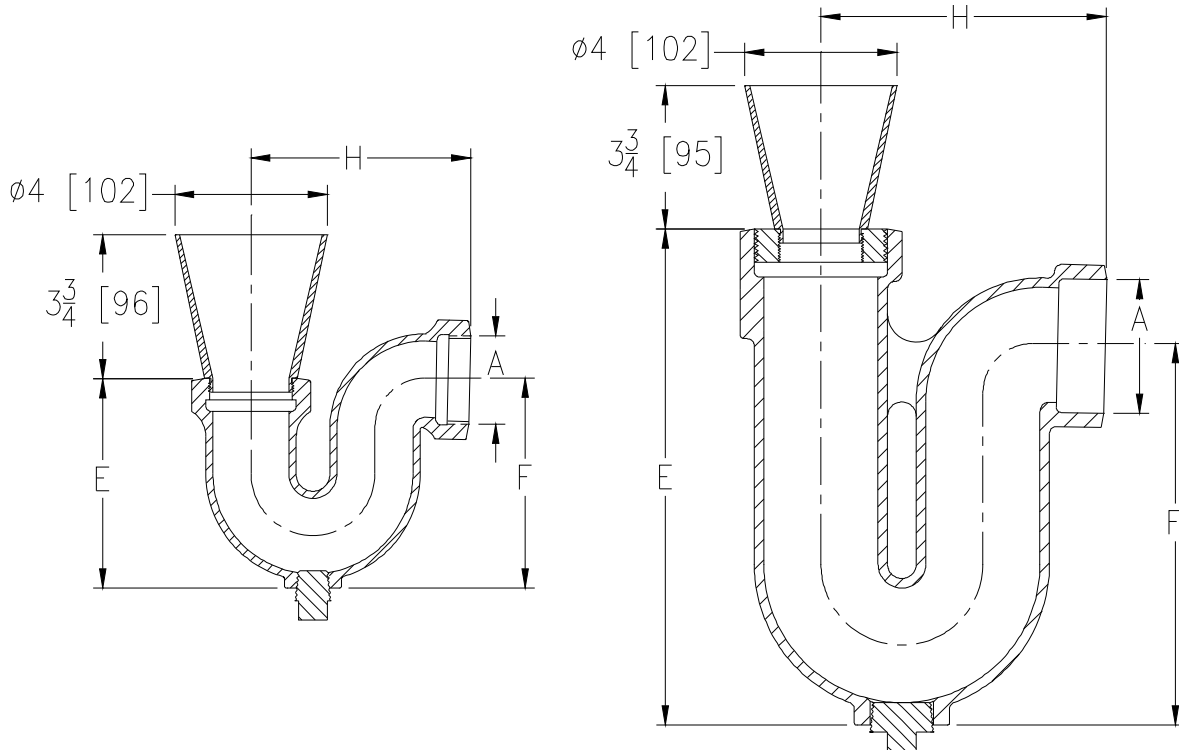
Rev. S  
Date: 3/13/14  
C.N. No. 130696  
Prod. | Dwg. No. Z415B



# Z1019

## FUNNEL DRAIN WITH "P" TRAP

Dimensional Data (inches and [ mm ]) are Subject to Manufacturing Tolerances and Change Without Notice



Dimensions In Inches				Approx. Wt. Lbs. [kg]
A Pipe Size	E	F	H	
2 [50]	4-1/4 [108]	5-1/2 [140]	5-3/4 [146]	10 [5]
3 [75]	13 [330]	10 [254]	7-1/2 [190]	19 [9]

**ENGINEERING SPECIFICATION:** ZURN Z1019 Dura-Coated cast iron combination funnel and trap drain, complete with bronze bottom cleanout plug.

**CONNECTIONS** (Check/specify appropriate options)

**PIPE SIZE**

(Specify size) **CONNECTION**

2-3 [50-75]

\_\_\_\_ IP Threaded

**PREFIXES**

- \_\_\_\_ Z D.C.C.I. Body and Top\*
- \_\_\_\_ ZAB Bronze Body with Polished Bronze Top
- ZABN Bronze Body with Polished Nickel Bronze Top

**SUFFIXES**

- \_\_\_\_ -AR Acid Resisting Epoxy Coated Finish
- \_\_\_\_ -DS Dome Strainer
- \_\_\_\_ -F6 6 [152] High x 6 [152] Diameter Funnel
- \_\_\_\_ -G Galvanized Cast Iron

\*REGULARLY FURNISHED UNLESS OTHERWISE SPECIFIED

REV. D DATE: 10/29/10 C.N. NO. 120180

DWG. NO. 58888 PRODUCT NO. Z1019



# ADDENDUM

**004**

111 S. King Street  
Suite 170  
Honolulu, HI 96813  
808.523.5866  
www.g70.design

*In reference to the  
bid documents for Project:*

<b>PROJECT NAME:</b> KVMH IMAGING DEPARTMENT RENOVATION		<b>DATE OF ISSUANCE:</b> 11/05/21	
<b>PROJECT NO:</b> 220038-01		<b>ISSUED BY:</b> G70	
<b>NO. OF PAGES DWG:</b> 2	<b>NO. OF PAGES SPECS:</b> 0	<b>NO. OF PAGES NARRATIVE:</b> 1	<b>TOTAL NO. OF PAGES:</b> 3

Holders of Bidding Documents Dated **08/16/21** for the subject Project are hereby informed that these documents are modified as noted in the ADDENDUM, and that all conditions not modified hereby remain unchanged. Modifications in this ADDENDUM are noted with the following Delta Numbers:

<b>DELTA NO:</b> 4	<b>DATE:</b> 11/05/21	<b>DESCRIPTION:</b> ADDENDUM 4
-----------------------	--------------------------	-----------------------------------

**G70**

## DRAWINGS:

### STRUCTURAL

Drawing No.	Delta No.	Description
A-121	4	Revised wall types
A-601	4	Revised partition types

**-END OF ADD-004-**





111 S. KING STREET, SUITE 170  
 HONOLULU, HI 96813  
 808.523.5866  
 WWW.G70.DESIGN

REVISIONS		
#	Date	Description
1	09/17/21	ADDENDUM 1
4	11/05/21	ADDENDUM 4

**CONSTRUCTION / BID DOCUMENTS**  
**10/16/21**

This work was prepared by me or under my supervision and construction of this project will be under my observation

Supervision and Observation of this project is as defined in Section 1.2 of the Hawaii Administrative Rules, Title 16, Chapter 115, Professional Engineers, Architects, Land Surveyors, and Landscape Architects.

License Expiration Date

PROJECT TITLE

**HHSC KAUAI**

**KVMH IMAGING DEPARTMENT RENOVATIONS**

FILENAME:

C:\Users\kendym\Documents\KVMH-CT\_A18\_Central\_kendym.rvt

DRAWING TITLE

**ENLARGED FLOOR PLAN**

SCALE: 1/4" = 1'-0"

DRAWN BY:

Author

CHECKED BY:

Checker

PROJECT NO.

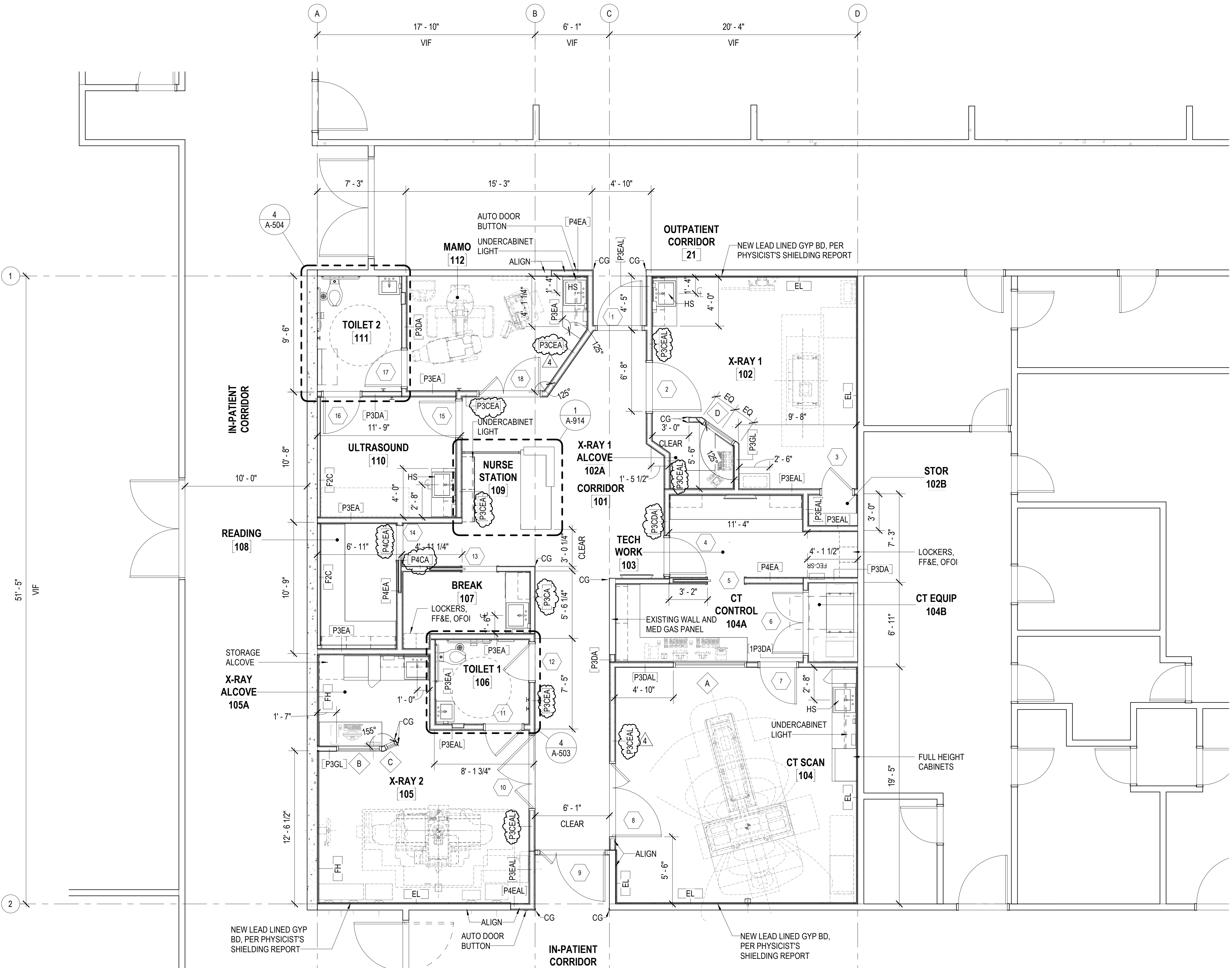
220038-01

DRAWING NO.

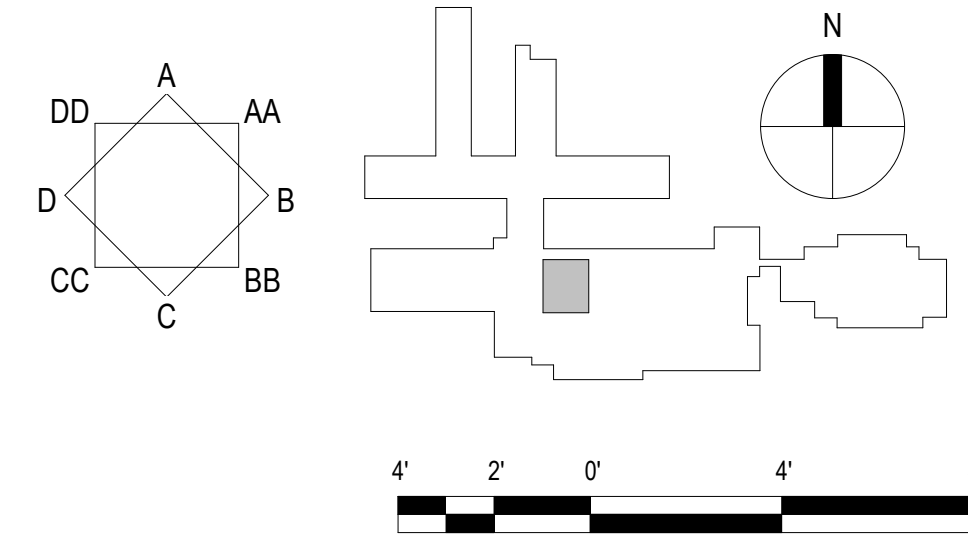
**A-121**

SHEET ISSUE DATE:

06/18/21

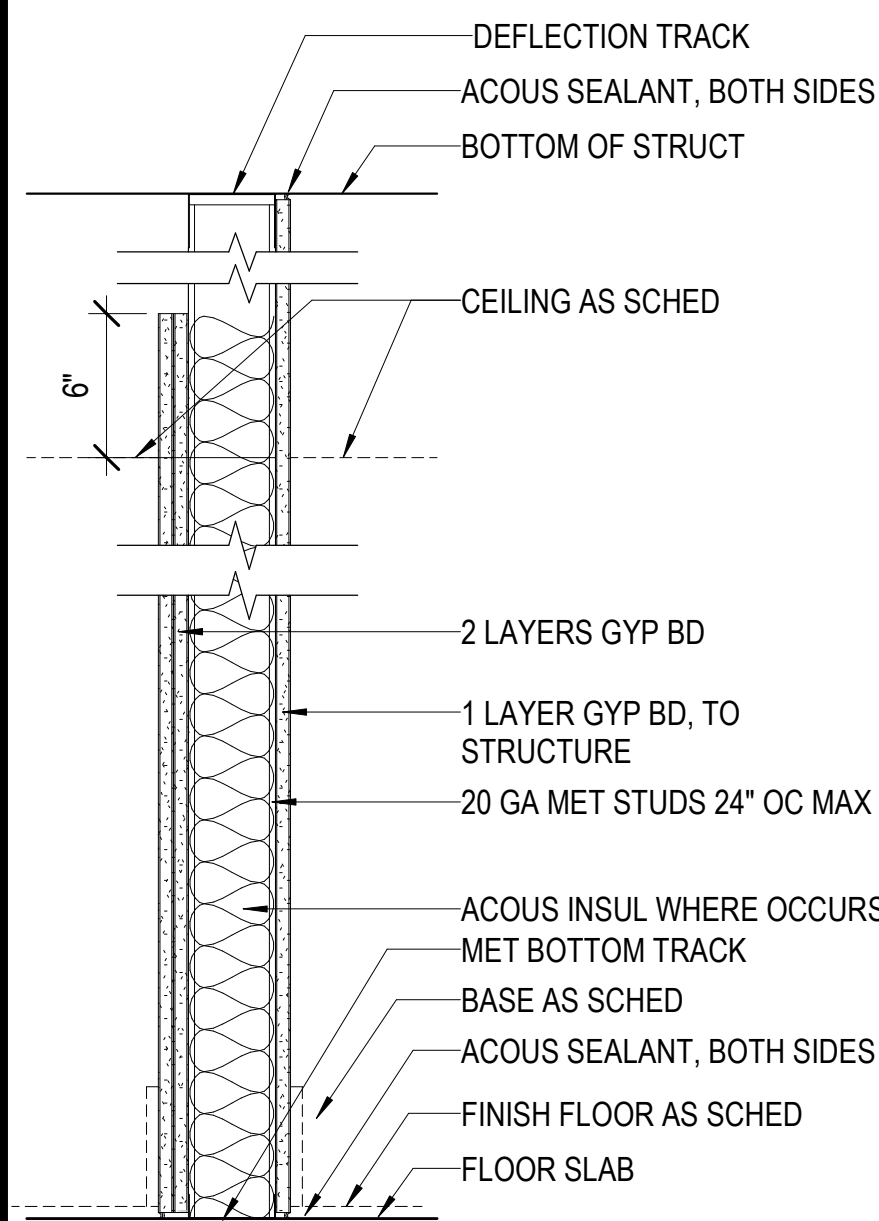


**1 ENLARGED FLOOR PLAN**  
 SCALE: 1/4" = 1'-0"

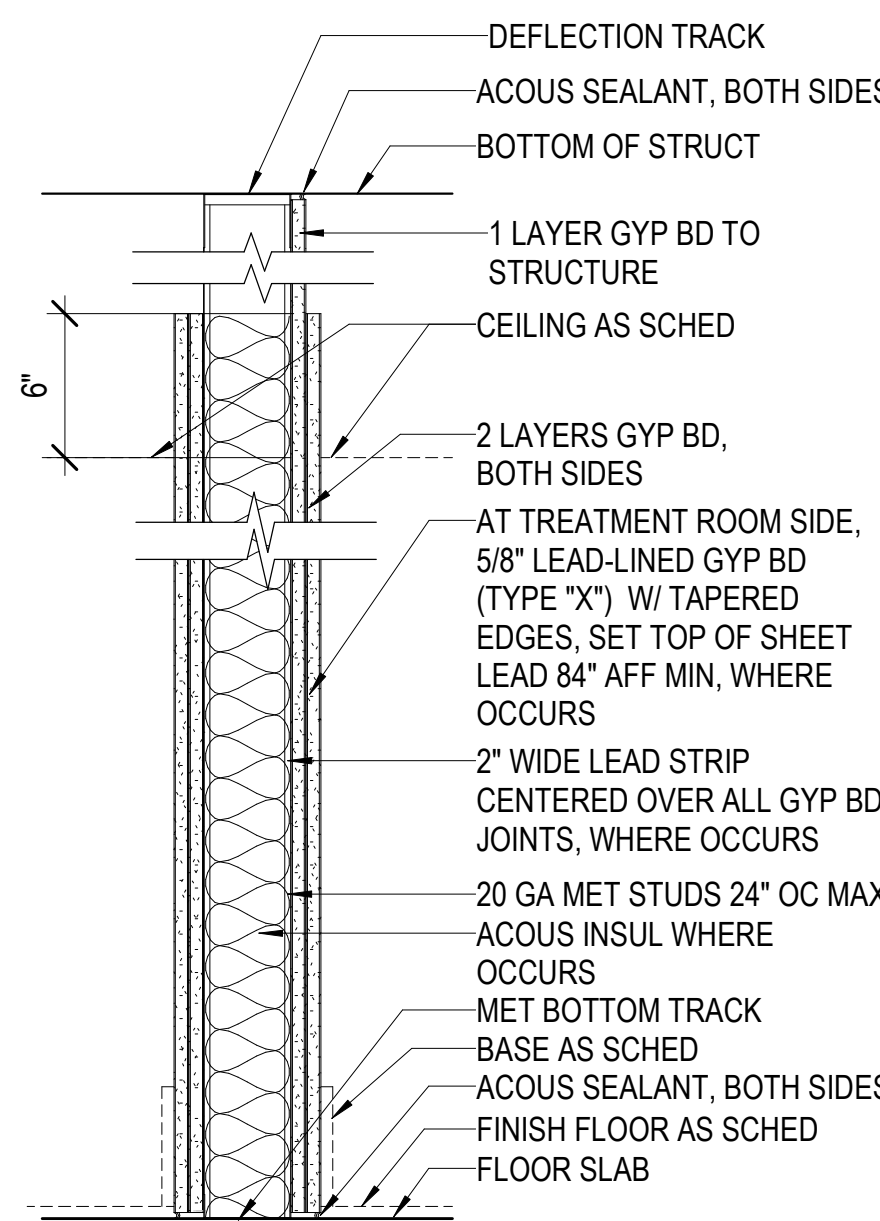


Type in Central File Path Here 11/5/2021 11:14:51 AM

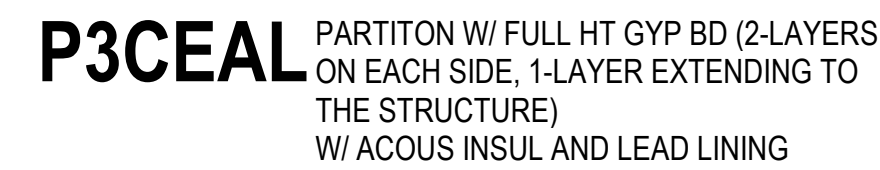
# PARTITION TYPES



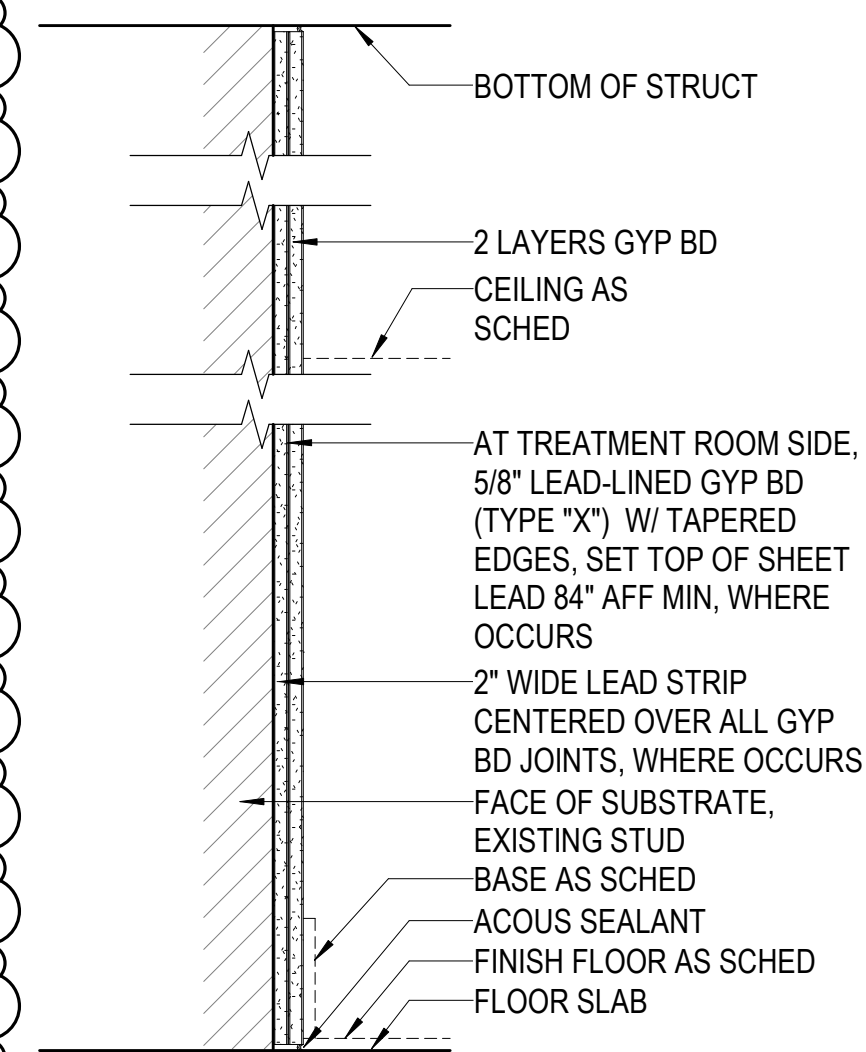
**P3CDA** PARTITION W/ FULL HT GYP BD (2-LAYERS ON ONE SIDE, 1-LAYER ON THE OTHER SIDE EXTENDING TO THE STRUCTURE) W/ ACOUS INSUL



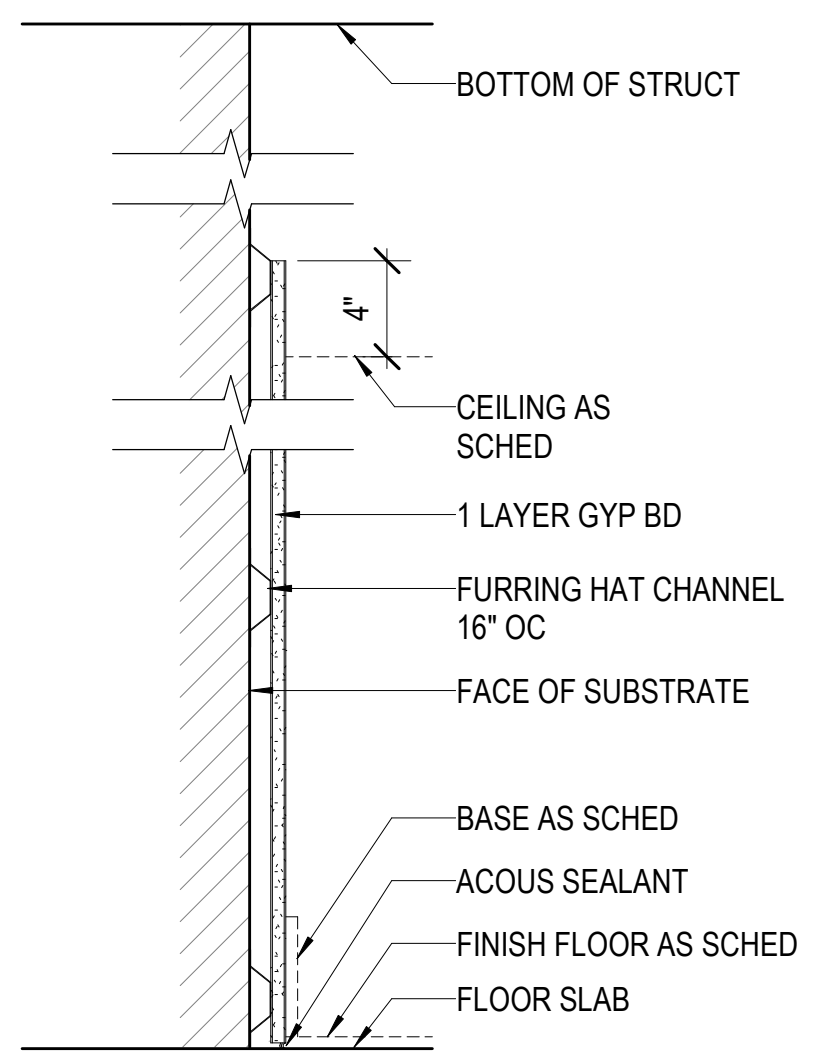
**P3CEA** PARTITION W/ FULL HT GYP BD (2-LAYERS ON EACH SIDE, 1-LAYER EXTENDING TO THE STRUCTURE) W/ ACOUS INSUL



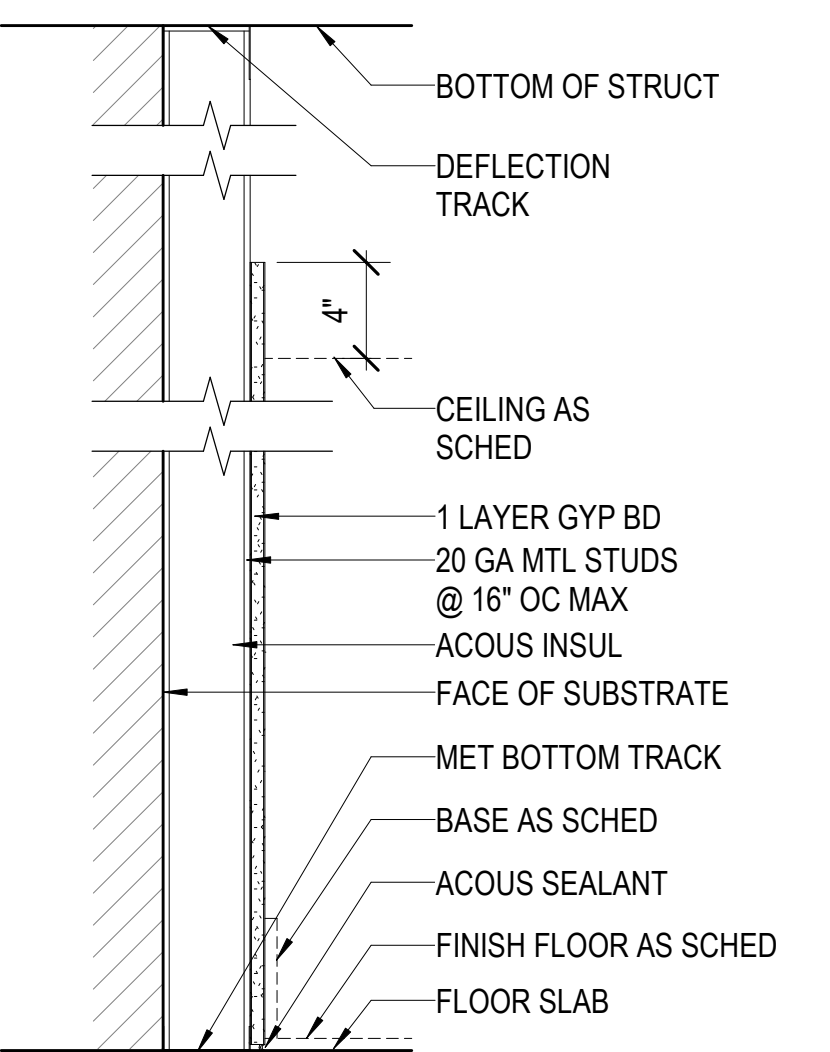
**P3CEAL** PARTITION W/ FULL HT GYP BD (2-LAYERS ON EACH SIDE, 1-LAYER EXTENDING TO THE STRUCTURE) W/ ACOUS INSUL AND LEAD LINING



**EL** FURRED PARTITION TO 4" PAST CEILING



**FHC** FURRED PARTITION TO 4" PAST CEILING



**F2C** FURRED PARTITION TO 4" PAST CEILING



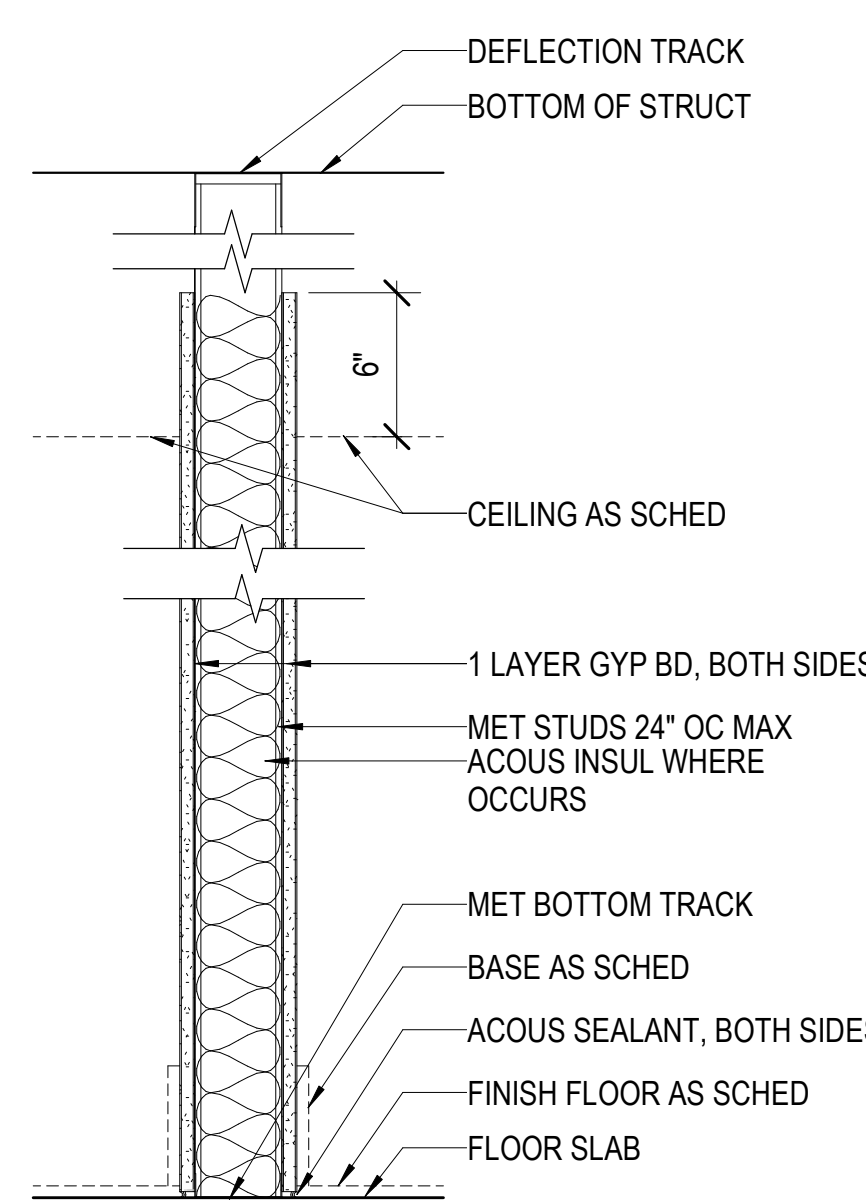
**F3C** FURRED PARTITION TO 4" PAST CEILING

## LEGEND:

- FIRE RATING (BLANK INDICATES NO FIRE RATING)
  - CONSTRUCTION TYPE
  - STUD SIZE
  - MODIFIER(S) (BLANK INDICATES NO MODIFIER)
- 1 P 3 A
- FIRE RATING**  
 1 - 1 HOUR  
 2 - 2 HOUR  
 3 - 3 HOUR  
 NOTE: BLANK INDICATES NO FIRE RATING
- CONSTRUCTION TYPE**  
 C - CHASE PARTITION  
 F - FURRING  
 M - MASONRY  
 N - CONCRETE  
 P - BASIC METAL FRAMED PARTITION  
 S - SHAFT PARTITION  
 W - BASIC WOOD FRAMED PARTITION
- METAL STUD SIZE**  
 H - 7/8" HAT CHANNEL  
 1 - 1 5/8" MET STUDS  
 2 - 2 1/2" MET STUDS  
 3 - 3 5/8" MET STUDS  
 4 - 4" MET STUDS  
 6 - 6" MET STUDS  
 8 - 8" MET STUDS
- MODIFIERS**  
 A - ACOUSTIC INSULATION  
 C - GYP BD, 6" PAST CEILING  
 D - 2-LAYERS OF GYP BD, ONE SIDE ONLY  
 E - 2-LAYERS OF GYP BD, BOTH SIDES  
 F - FULL HEIGHT GYP BD, ONE SIDE  
 G - FULL HEIGHT GYP BD, BOTH SIDES  
 H - 3-LAYERS OF GYP BD, ONE SIDE ONLY  
 J - FULL HT GLASS MAT GYP BD ON ONE SIDE  
 L - LEAD LINED  
 M - KNEE WALL (\_\_\_\_" HIGH)  
 S - NO GYP BD, ONE SIDE ONLY  
 V - VENEER PLASTER  
 X - SPECIAL
- NOTE: BLANK INDICATES NO MODIFICATIONS

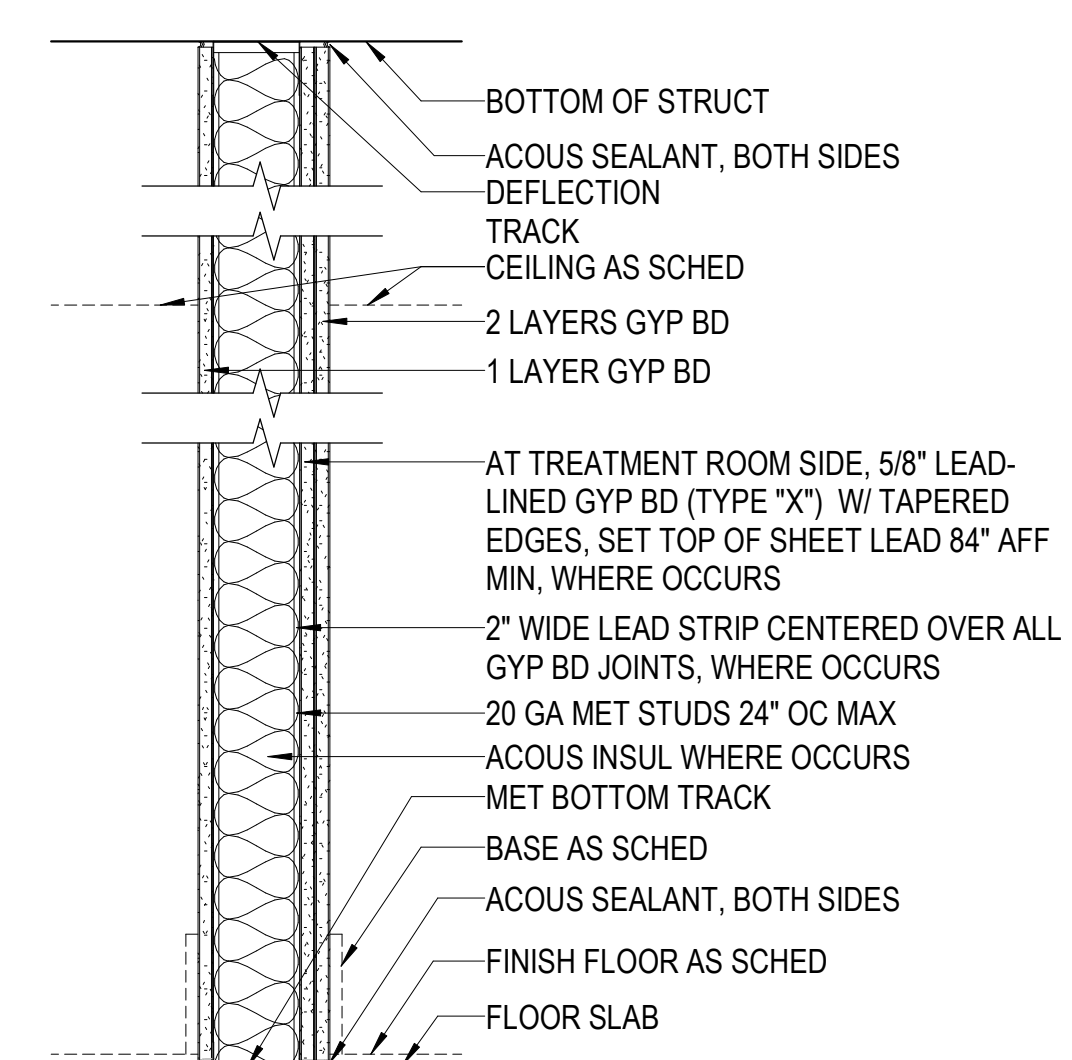
## GENERAL NOTES

1. ALL GYP BD IS TYPE 'X', 5/8" THICK UNO.
2. PARTITION TYPE @ HEADERS: AT DOORS, GLAZED PARTITIONS, CASED OPENINGS, CONTINUE ADJACENT PARTITION TYPE.
3. PROVIDE GLASS MAT GYP BD FOR PAINTED PARTITIONS IN WET AREA SUCH AS KITCHEN, BATHROOM, JANITOR CLOSETS, MECHANICAL ROOM, ETC.
4. PROVIDE GLASS MT GYP BD FOR PARTITIONS RECEIVING CERAMIC TILE.
5. FOR ALL FIRE RATED PARTITIONS AND ANY NOTED w/ ACOUSTICAL INSULATION, THE FOLLOWING NOTES SHOULD APPLY:
  - A. ALL PENETRATIONS OF THE WALL SHOULD BE SEALED AIR TIGHT ON BOTH SIDES w/ ACOUSTICAL SEALANT OR FIRE STOPPING, AND THE CAVITY IN BETWEEN FILLED w/ LOOSE FIBERGLASS OR MINERAL WOOL.
  - B. ANY WALL OUTLETS FOR DATA, VOICE, VIDEO, POWER OR OTHER UTILITIES SHOULD BE SEPARATED BY AT LEAST ONE STUD CAVITY HORIZONTALLY TO AVOID BACK-TO-BACK OUTLETS.
  - C. ELEC. PANEL BOARDS, FEC, EYE WASH, ETC SHALL BE WRAPPED WITH FIRE RESISTIVE MATERIAL TO MAIN FIRE RESISTIVE CONSTRUCTION.
6. ACOUS. SEALANT BEADS @ 8" O.C. BETWEEN EACH GYP BD. LAYER:CONT SEALANT BEAD WHERE GYP BD MEESEE DET -/---P.
7. AT LEAD LINED PARTITIONS, USE LEAD LINED GYP BD, WEIGHT PER SHIELDING REPORT, BACK WRAP ALL PENETRATIONS WITH LEAD SHEETS, SEE PHYSICIST'S REPORT FOR LEAD EXTENTS SEE DET 1/A-911



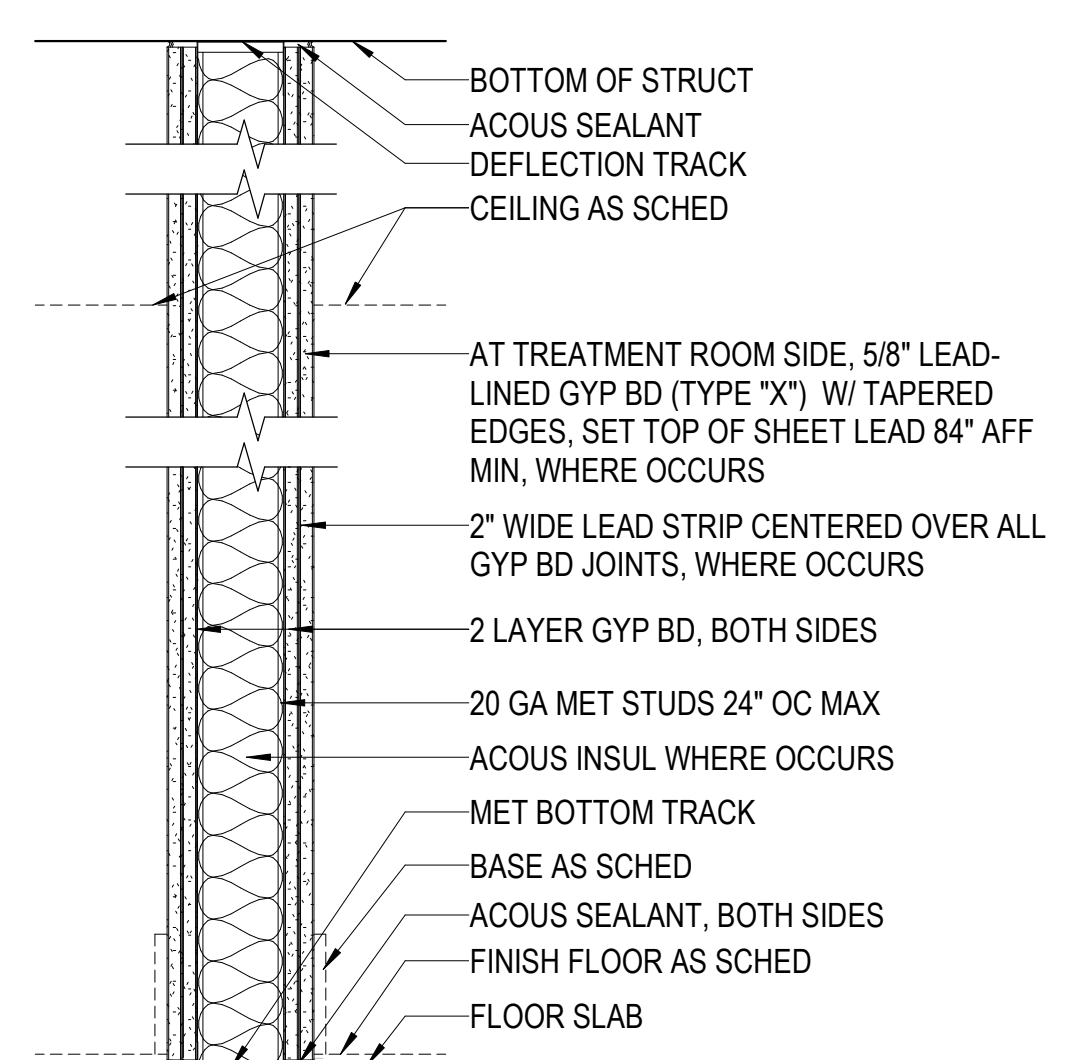
**P3CA** PARTITION TO 6" PAST CEILING W/ ACOUS INSUL

**P4CA** PARTITION TO 6" PAST CEILING W/ ACOUS INSUL



**P3DA** PARTITION W/ FULL HT GYP BD (1-LAYER ON ONE SIDE AND 2-LAYERS ON THE OTHER SIDE) W/ ACOUS INSUL

**P3DAL** PARTITION W/ FULL HT GYP BD (1-LAYER ON ONE SIDE AND 2-LAYERS ON THE OTHER SIDE) W/ ACOUS INSUL AND LEAD LINING

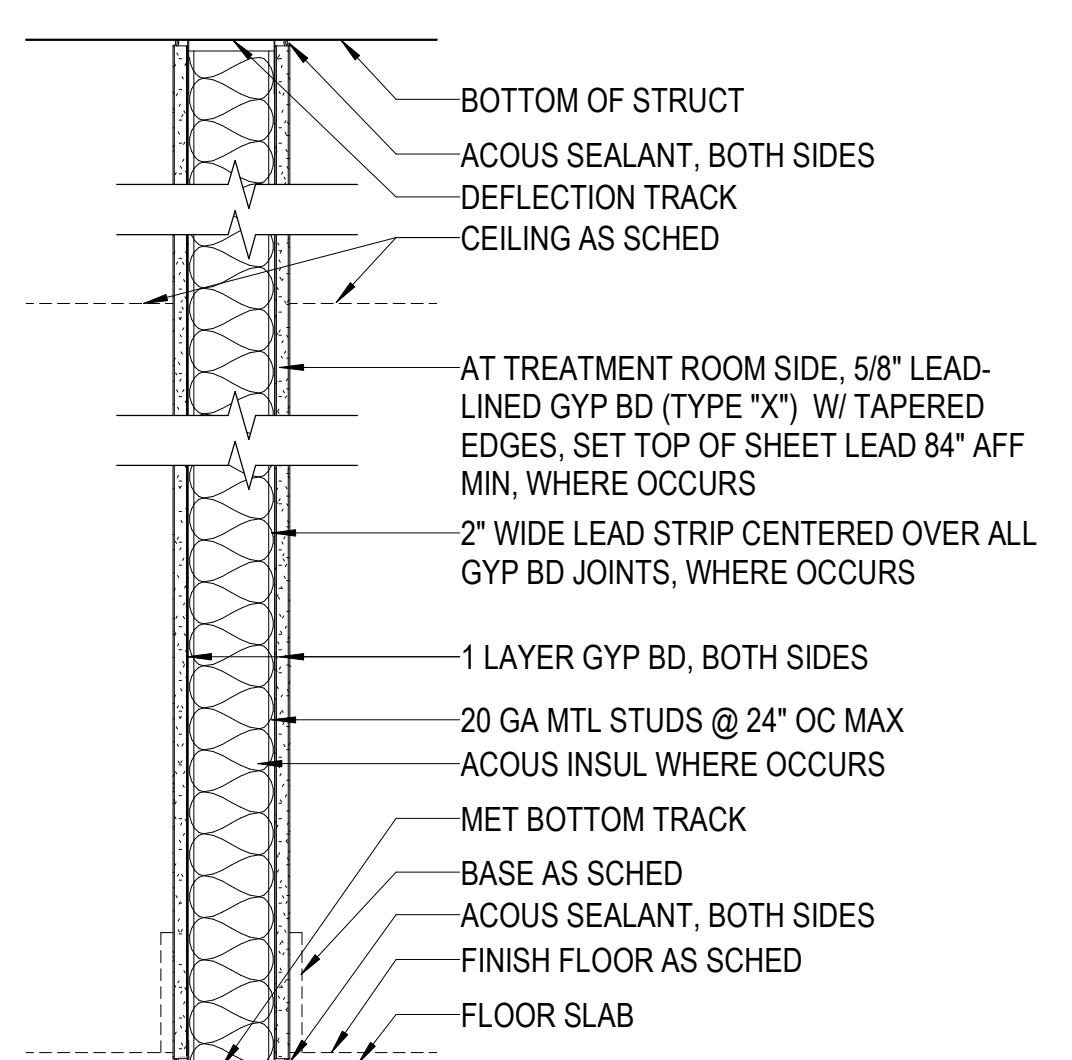


**P3EA** PARTITION W/ FULL HT GYP BD 2-LAYERS FULL HT GYP BD ON BOTH SIDES W/ ACOUS INSUL

**P3EAL** PARTITION W/ FULL HT GYP BD 2-LAYERS FULL HT GYP BD ON BOTH SIDES W/ ACOUS INSUL AND LEAD LINING

**P4EA** PARTITION W/ FULL HT GYP BD 2-LAYERS FULL HT GYP BD ON BOTH SIDES W/ ACOUS INSUL

**P4EAL** PARTITION W/ FULL HT GYP BD 2-LAYERS FULL HT GYP BD ON BOTH SIDES W/ ACOUS INSUL AND LEAD LINING



**P3GA** PARTITION TO STRUCTURE W/ ACOUS INSUL

**P3GL** PARTITION TO STRUCTURE W/ ACOUS INSUL AND LEAD LINING

**P4GA** PARTITION TO STRUCTURE W/ ACOUS INSUL



111 S. KING STREET, SUITE 170  
 HONOLULU, HI 96813  
 808.523.5866  
 WWW.G70.DESIGN

#	Date	Description
4	11/05/21	ADDENDUM 4

## CONSTRUCTION / BID DOCUMENTS

10/16/21

This work was prepared by me or under my supervision and construction of this project will be under my observation

Supervision and Observation of this project is as defined in Section 1.2 of the Hawaii Administrative Rules, Title 16, Chapter 115, Professional Engineers, Architects, Land Surveyors, and Landscape Architects.

License Expiration Date

PROJECT TITLE

## HHSC KAUAI

### KVMH IMAGING DEPARTMENT RENOVATIONS

FILENAME:  
 C:\Users\kendym\Documents\KVMH-CT\_A18\_Central\_kendym.rvt

DRAWING TITLE

## PARTITION TYPES

SCALE: As indicated

DRAWN BY:	CHECKED BY:
PROJECT NO. 220038-01	DRAWING NO. <b>A-601</b>
SHEET ISSUE DATE: 06/18/21	