

2 LAUNDRY RM (RM 55)
SCALE: 1/4" = 1'-0"

1 LAUNDRY RM (RM 55) - PLAN
SCALE: 1/4" = 1'-0"



111 S. KING STREET, SUITE 170
HONOLULU, HAWAII 96813
808.523.5866
WWW.G70.DESIGN

| REVISIONS | | |
|-----------|----------|-------------|
| # | Date | Description |
| A | 03/30/26 | ADDENDUM 1 |

ADDENDUM 1 / PERMIT SET
03/30/26

This work was prepared by me or under my supervision and construction of this project will be under my observation.
Supervision and Observation of this project is as defined in Section 1.2 of the Hawaii Administrative Rules, Title 16, Chapter 115, Professional Engineers, Architects, Land Surveyors, and Landscape Architects.

License Expiration Date

PROJECT TITLE
SAMUEL MAHELONA MEMORIAL HOSPITAL BEHAVIORAL HEALTH NEW PATIENT FACILITY

TMK#: 4-6-014:113

FILENAME
Autodesk Docs//221093-01 SMMH BHNPF/SMMH BHNPF_A24_Central.rvt

SHEET NAME
ENLARGED PLANS AND INTERIOR ELEVATIONS

SCALE: 1/4" = 1'-0"

DRAWN BY
Author

CHECKED BY
Checker

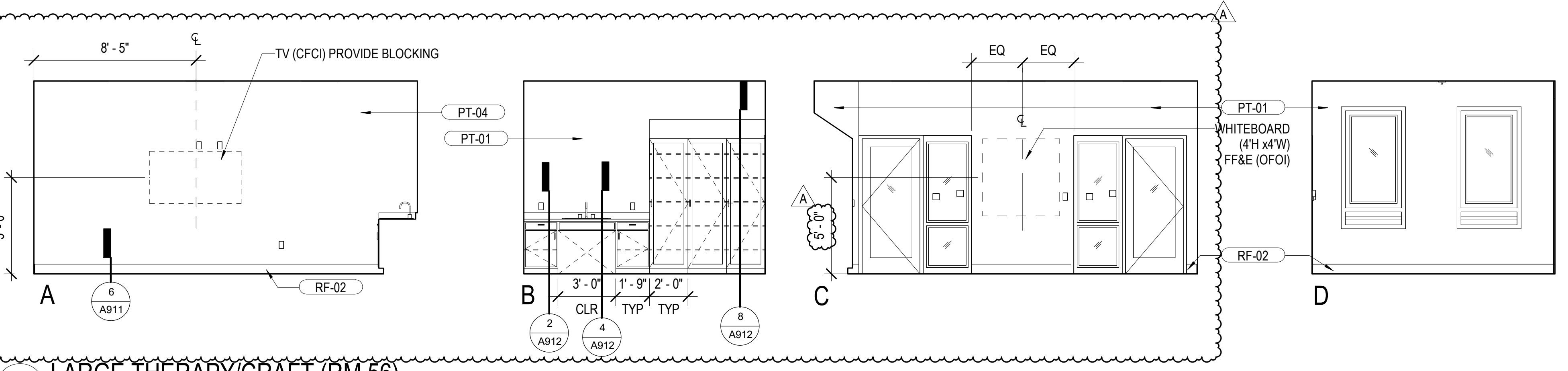
PROJECT NO.

SHEET NO.

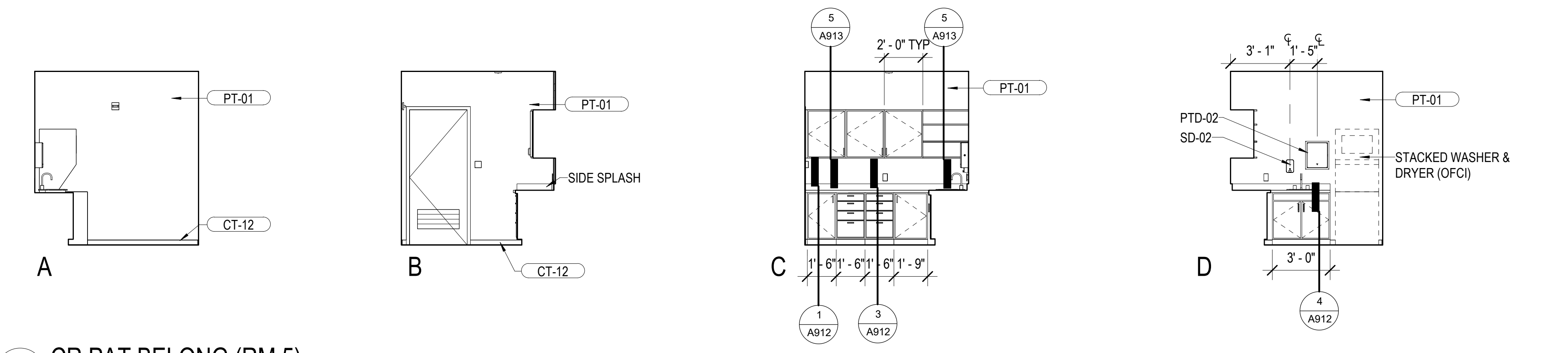
221093-01

A510

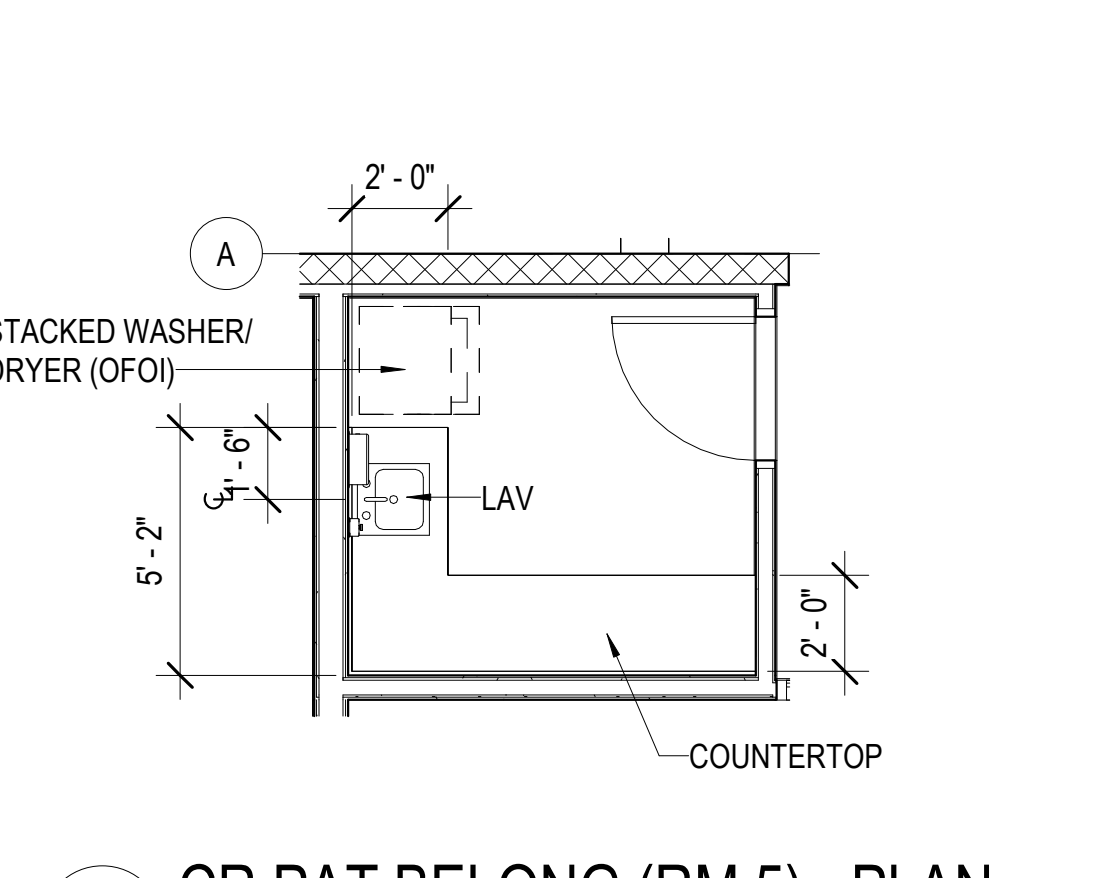
SHEET ISSUE DATE
08/08/2025



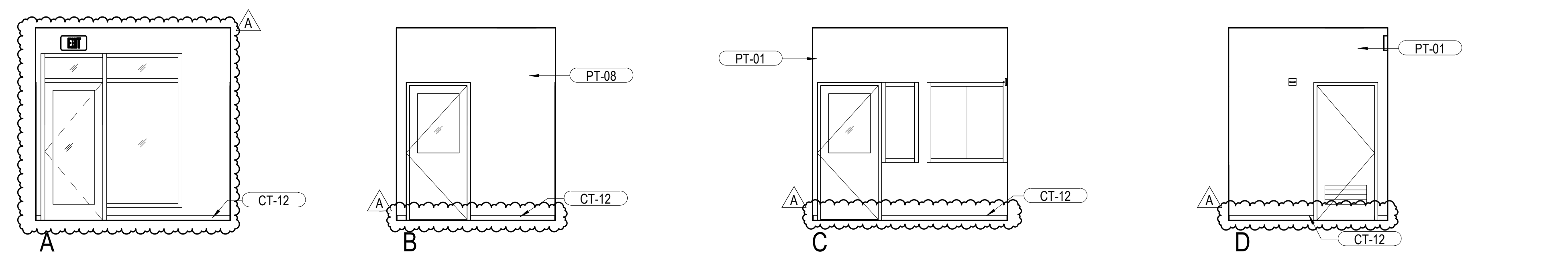
4 LARGE THERAPY/CRAFT (RM 56)
SCALE: 1/4" = 1'-0"



6 CR PAT BELONG (RM 5)
SCALE: 1/4" = 1'-0"

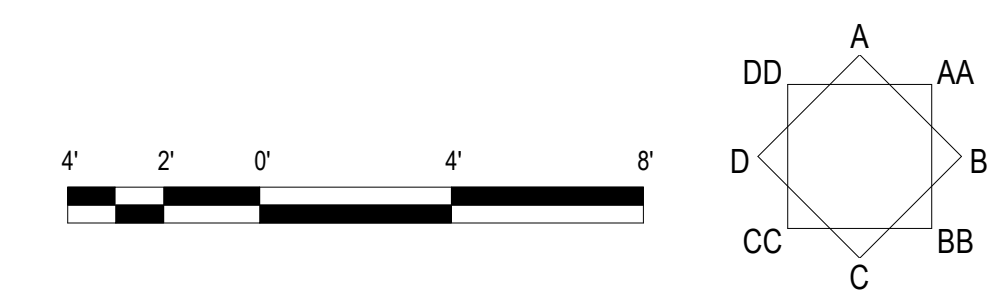


5 CR PAT BELONG (RM 5) - PLAN
SCALE: 1/4" = 1'-0"



8 CR LOBBY/WAITING (RM 6)
SCALE: 1/4" = 1'-0"

GENERAL NOTES:
1. SEE OVERALL PLAN AND ENLARGED PLANS AND RCP FOR REFERENCE
2. SEE FINISH SCHEDULES AND ROOM FINISH SCHEDULE
3. SEE SPECIFICATIONS FOR ACCESSORY SCHEDULES AND SPEC
4. FURNITURE, IF SHOWN IS FOR REFERENCE AND ASSUMED NIC AND TO BE PROVIDED BY OTHER
5. ALL DIMS ARE SHOWN AS A.F.F.



Autodesk Docs//221093-01 SMMH BHNPF/SMMH BHNPF_A24_Central.rvt

4/12/2025 3:23:01 PM