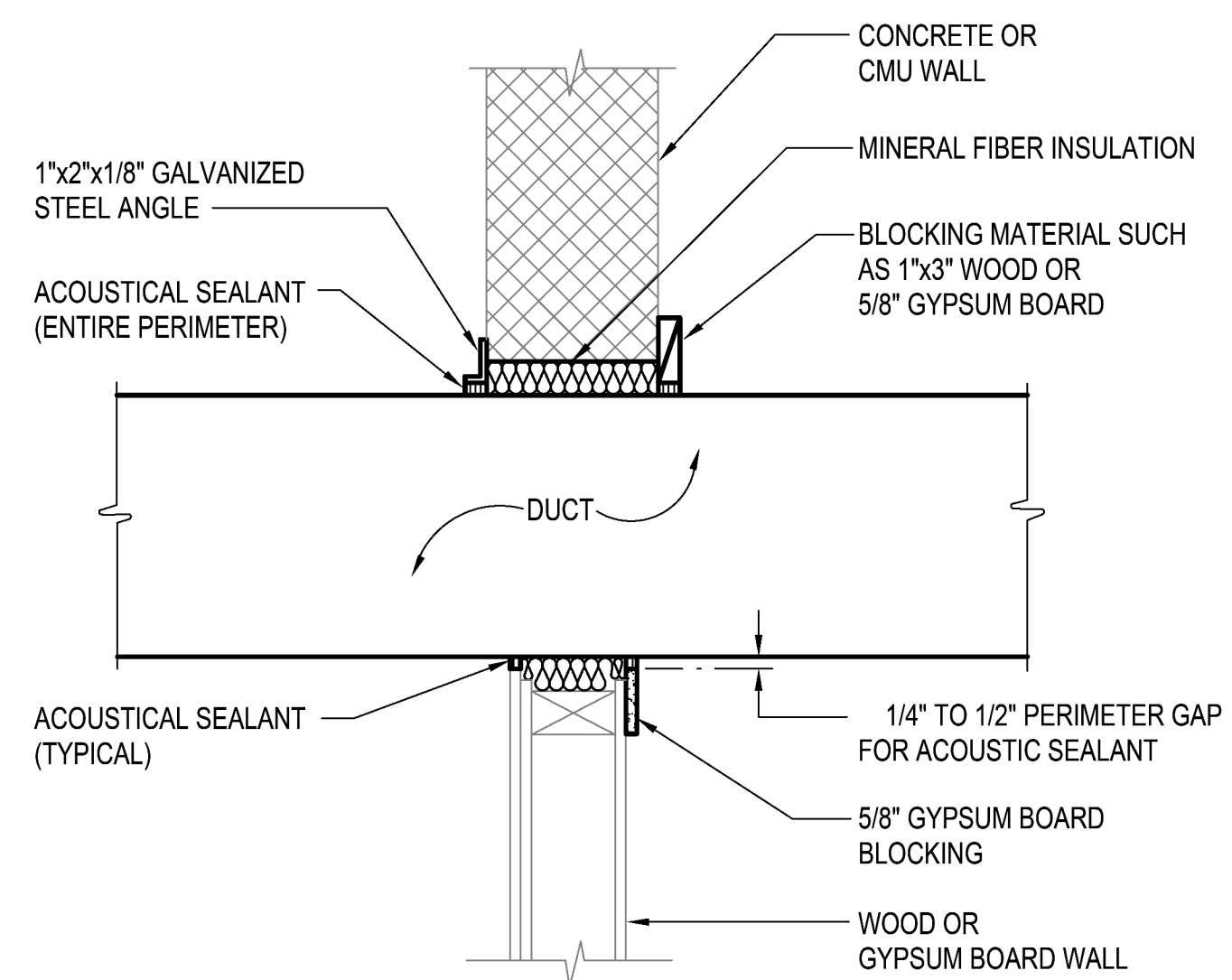
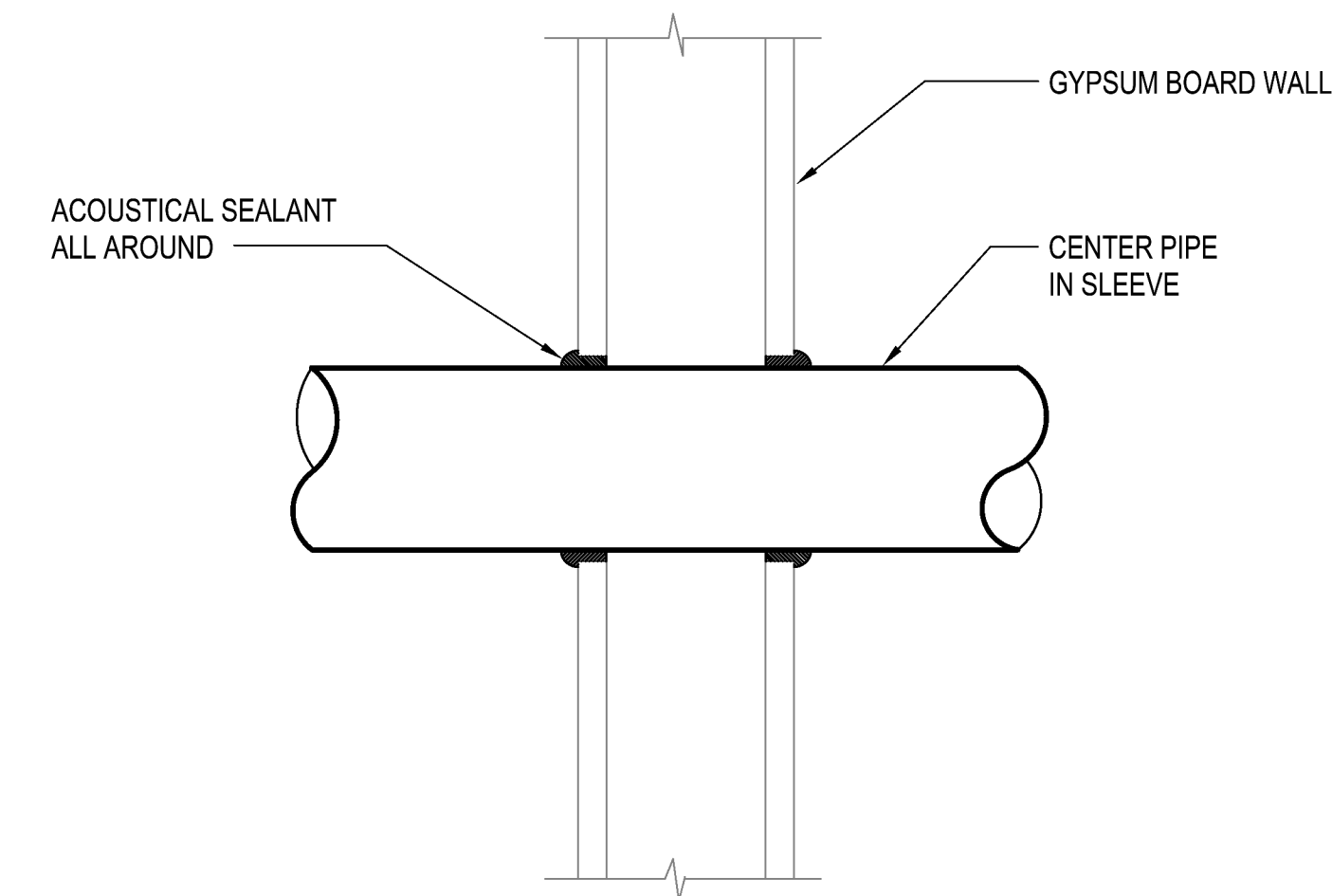


**1** TYPICAL AIR CONDITIONING UNIT MOUNTING DETAIL  
NOT TO SCALE

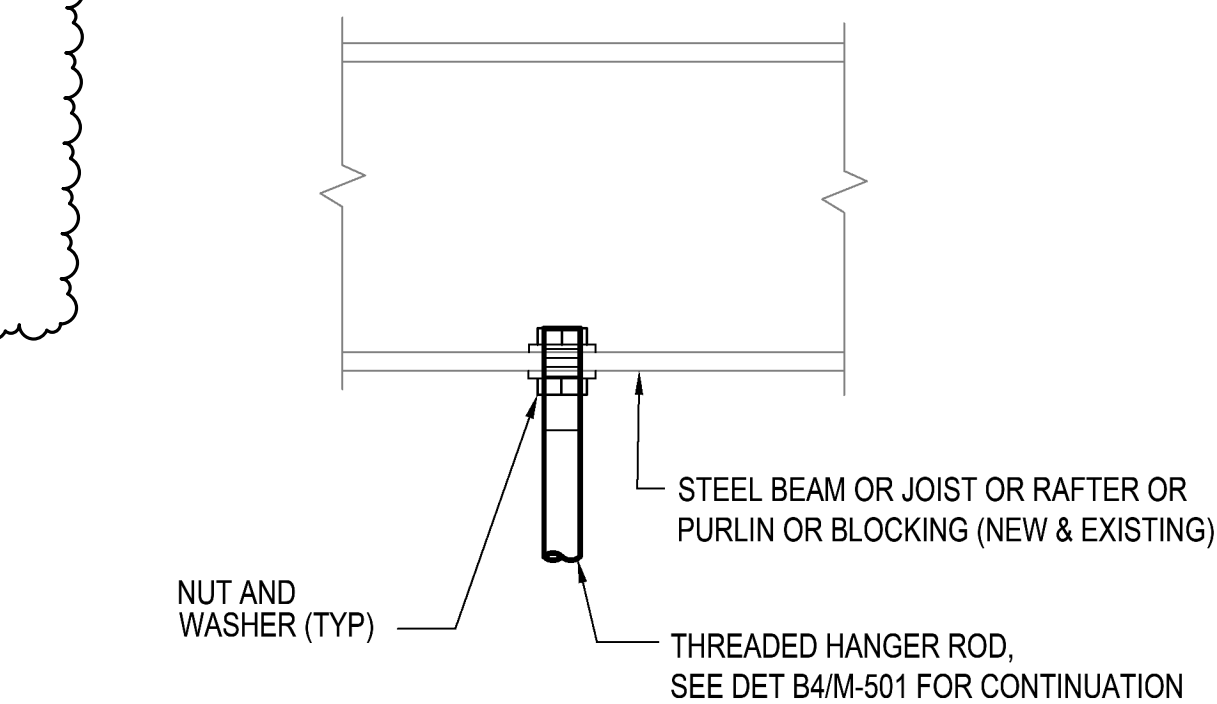
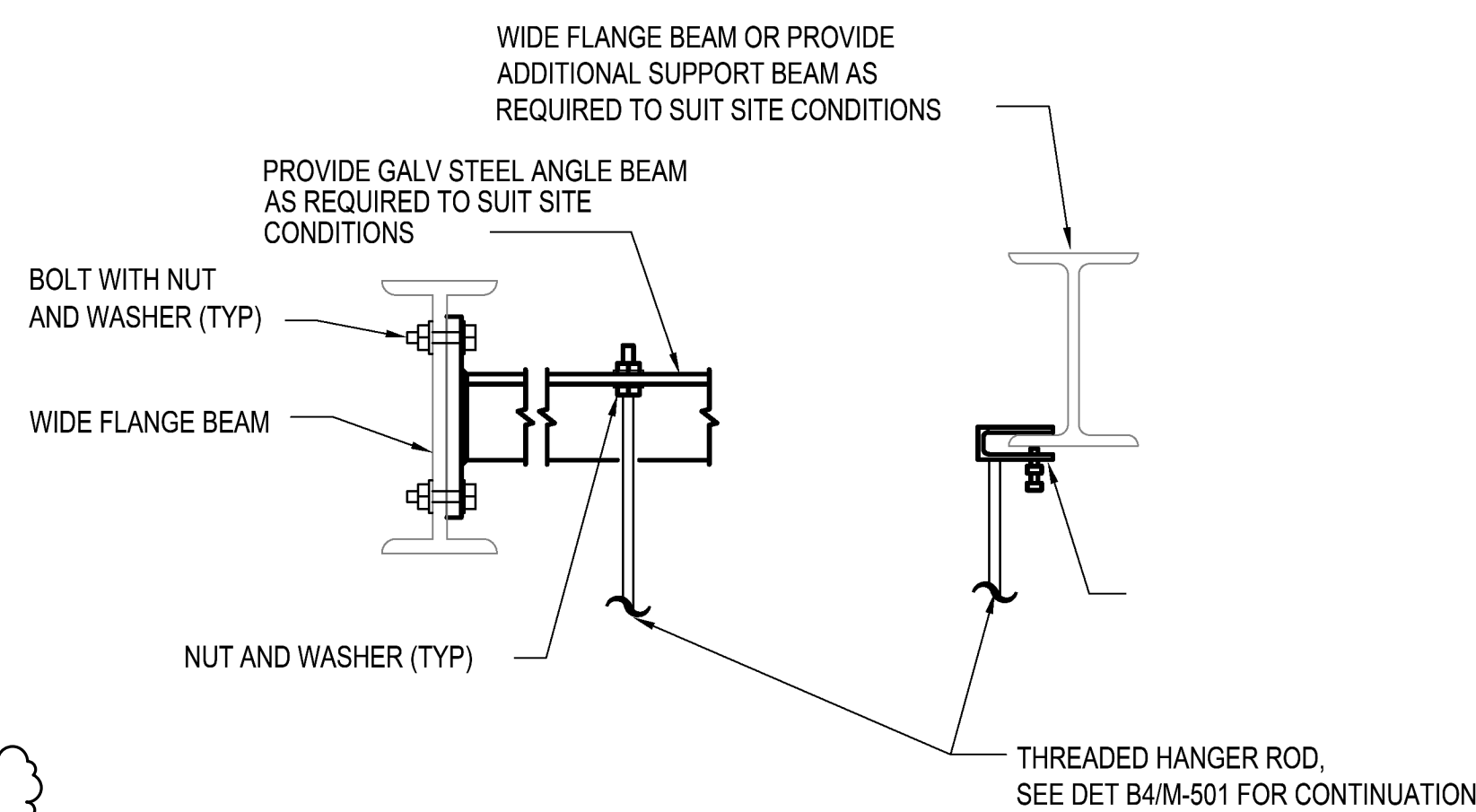


**NOTE:**  
FIRE RATED SHALL BE PROVIDED WITH FIRE DAMPERS.  
WALL OPENING CLOSURE ANGLE SHALL BE IN ACCORDANCE WITH FIRE DAMPER UL LISTING.

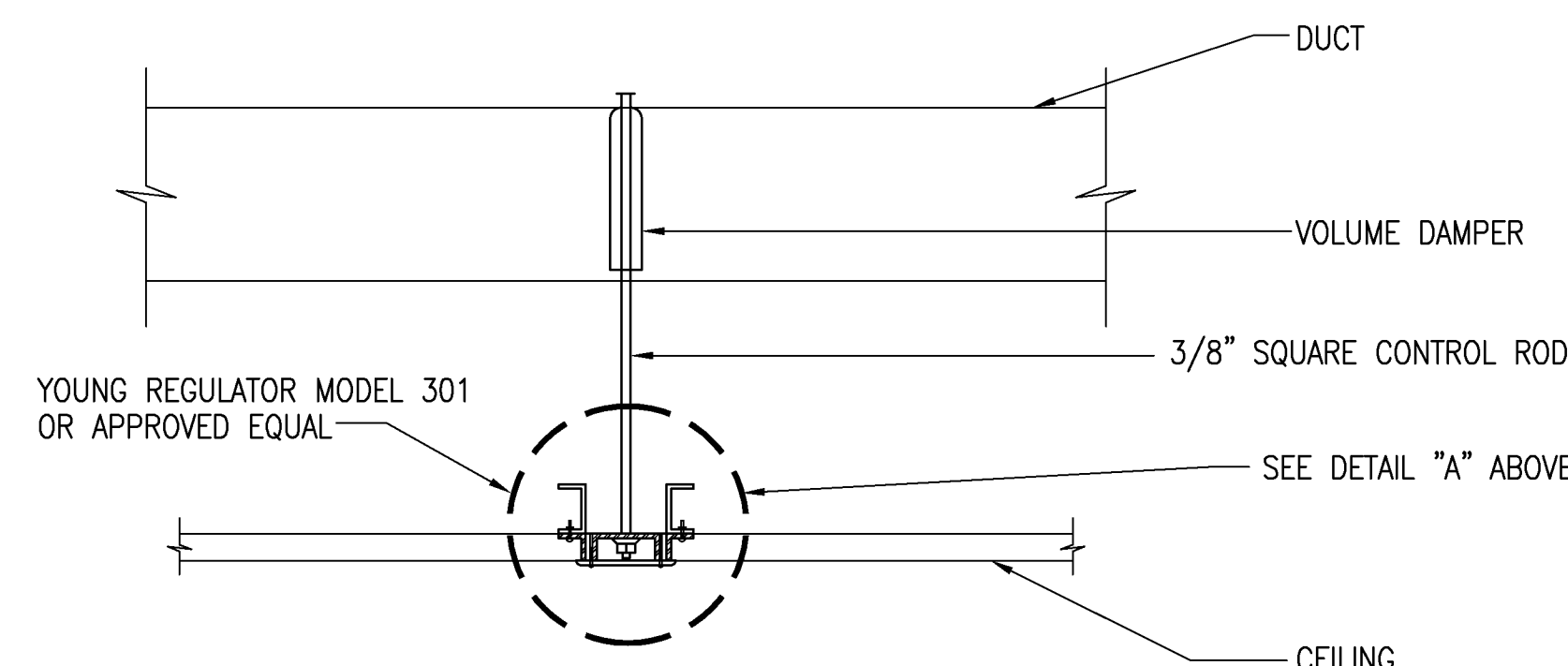
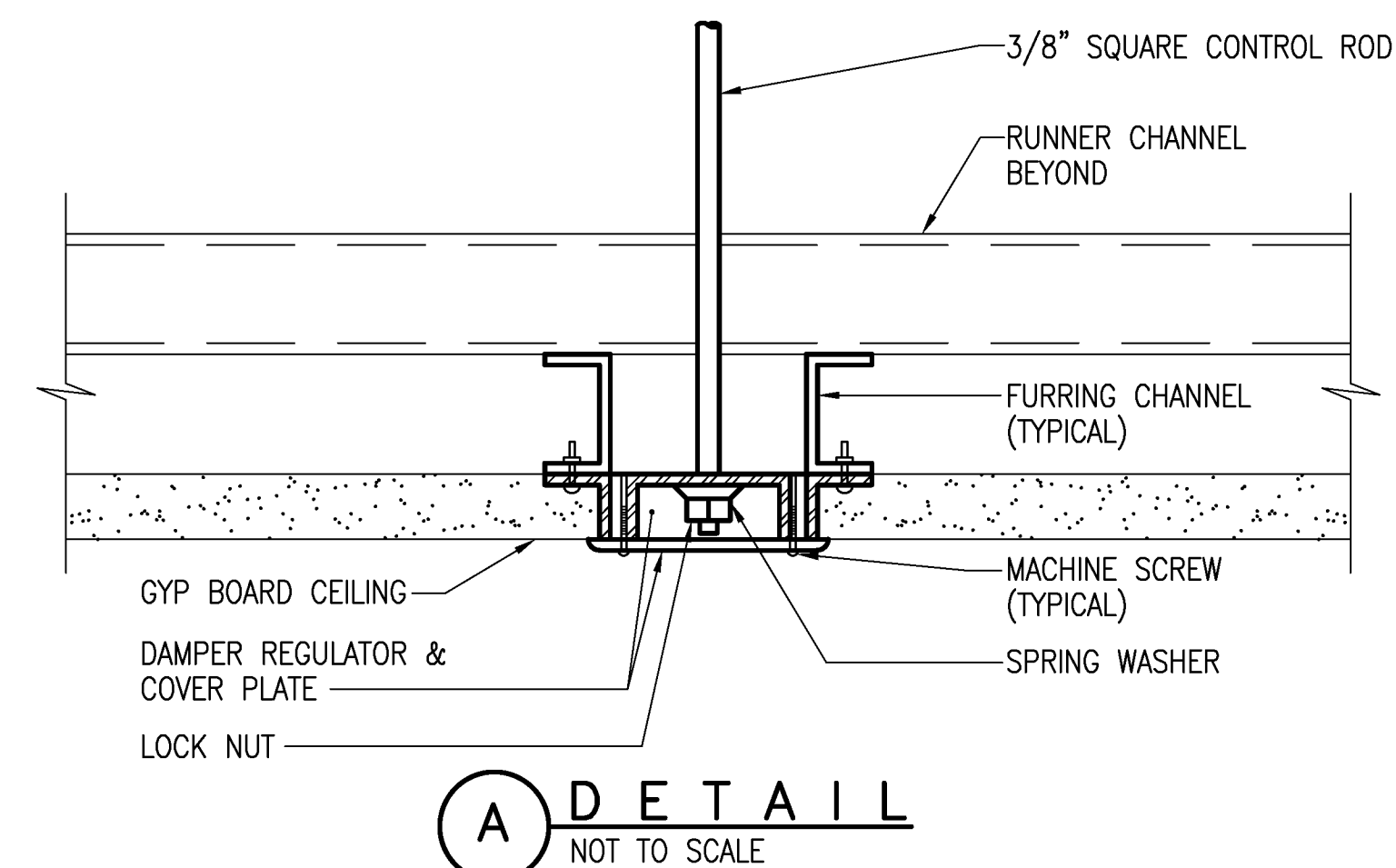
**2** DUCT THRU WALL DETAIL  
NOT TO SCALE



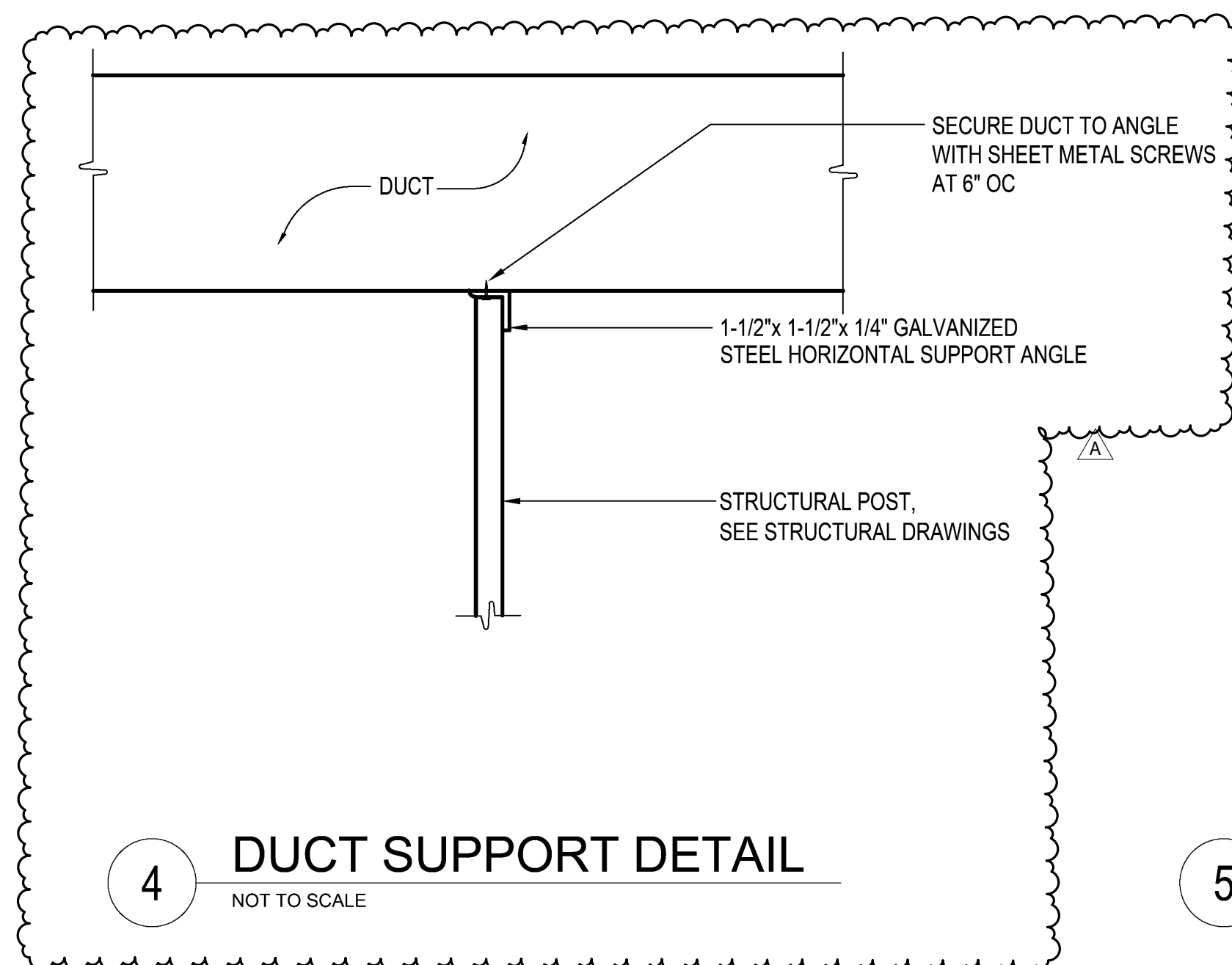
**3** PIPE THRU DRYWALL DETAIL  
NOT TO SCALE



**5** TYPICAL CONNECTION TO STEEL MEMBER DETAIL  
NOT TO SCALE



**6** CONCEALED VOLUME DAMPER DETAIL  
NOT TO SCALE



**4** DUCT SUPPORT DETAIL  
NOT TO SCALE

# MEH CORP

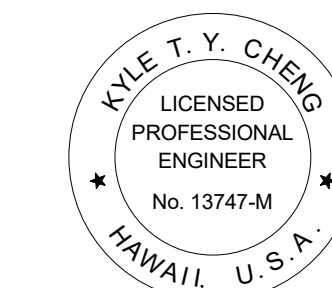
MECHANICAL ENGINEERS OF HAWAII CORP.  
50 S. BERETANIA STREET, SUITE C-208A  
HONOLULU HAWAII 96813-2222  
PHONE: 521-8981 FACSIMILE: 536-5457

REVISIONS	Date	Description
A	03/30/26	Addendum 1

**ADDENDUM 1 / PERMIT SET**  
**03/30/26**

This work was prepared by me or under my supervision and construction of this project will be under my observation.

Supervision and Observation of this project is as defined in Section 1.2 of the Hawaii Administrative Rules, Title 16, Chapter 115, Professional Engineers, Architects, Land Surveyors, and Landscape Architects.



4/30/2026  
License Expiration Date

PROJECT TITLE  
**SAMUEL MAHELONA MEMORIAL HOSPITAL BEHAVIORAL HEALTH NEW PATIENT FACILITY**

TMK#: 4-6-014:113

FILENAME  
Autodesk Docs://221093-01 SMMH BHNPFF/SMMH BHNPFF\_HVAC\_CENTRAL.rvt

SHEET NAME  
**MECHANICAL DETAILS**

SCALE:	CHECKED BY KC
DRAWN BY DAT	SHEET NO. <b>M501</b>
PROJECT NO. 221093-01	
SHEET ISSUE DATE 02/09/2026	